

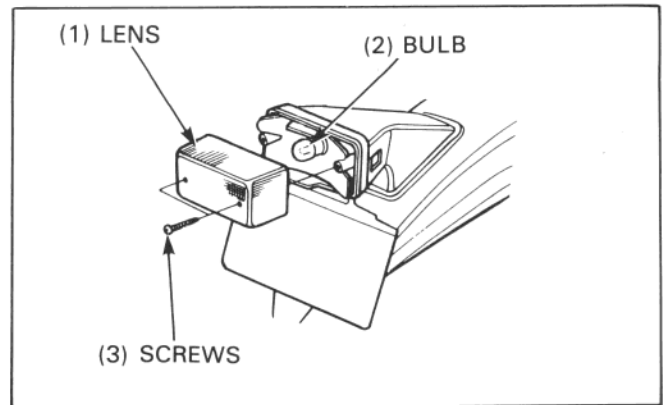
ELECTRICAL SYSTEM

TAIL/STOP LIGHT

BULB REPLACEMENT

Remove the two screws attaching the taillight and then remove the taillight lens.

Replace the bulb with a new one.
Install the sealing rubber in the groove, and secure the taillight lens with screws.

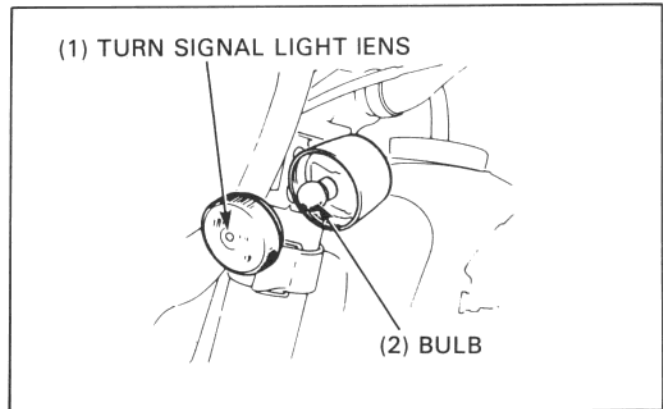


TURN SIGNAL LIGHT (U model only)

BULB REPLACEMENT

Remove the turn signal light lens by pulling it forward.
Press the bulb inward and twist to the left and the bulb can be removed.

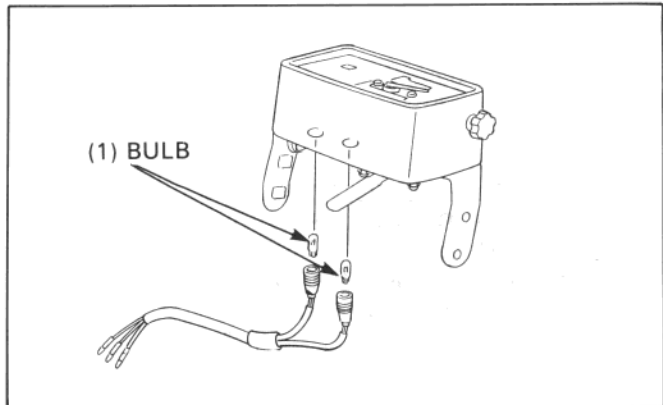
Replace with a new bulb.
Install the turn signal light lens by pressing it.



INSTRUMENTS

BULB REPLACEMENT

Remove the front visor or headlight-case (16-8).
Pull out the instrument light bulb socket and pull out the bulb and replace with a new one.



REMOVAL

Disconnect the speedometer cable.
Remove the two instruments from the setting stay.

