

REAR WHEEL/BRAKE/SUSPENSION

SHOCK ARM NEEDLE BEARING REPLACEMENT

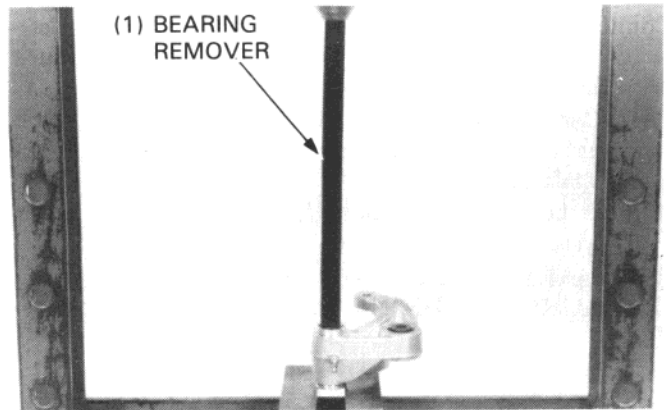
Drive out the needle bearings.

NOTE

- Be careful not to damage the dust seal sealing surface.

TOOL:

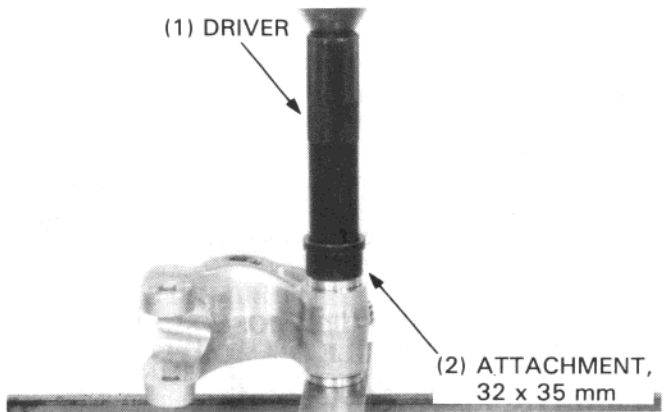
BEARING REMOVER 07946—MJ00100



Press the new needle bearings into shock arm with their marking facing out.

TOOLS:

DRIVER 07749—0010000
ATTACHMENT, 32 x 35 mm 07746—0010100

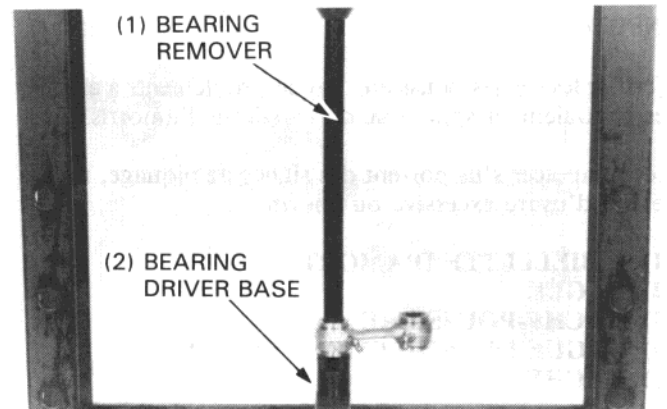


SHOCK LINK NEEDLE BEARING REPLACEMENT

Press out the needle bearings.

TOOLS:

BEARING REMOVER 07946—MJ00100
BEARING DRIVER BASE 07HMF—KS60100



Press two new needle bearings into the shock link with their markings facing out.

TOOLS:

DRIVER 07749—0010000
ATTACHMENT, 32 x 35 mm 07746—0010100

