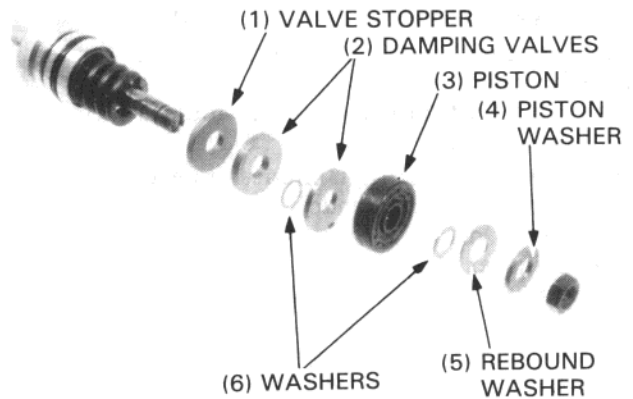


## REAR WHEEL/BRAKE/SUSPENSION

Remove the piston washer, damping valves, piston and valve stopper from the damper rod.

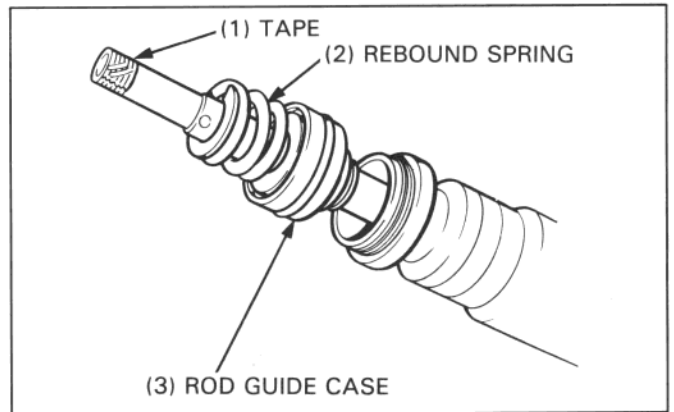
### NOTE

- Slip a piece of thin wire through the removed valves to ensure correct reassembly.
- Keep away from air-borne dust and abrasives.
- Thoroughly clean the valves in solvent before they are re-assembled.
- Be careful not to get solvent on the O-rings and seals.

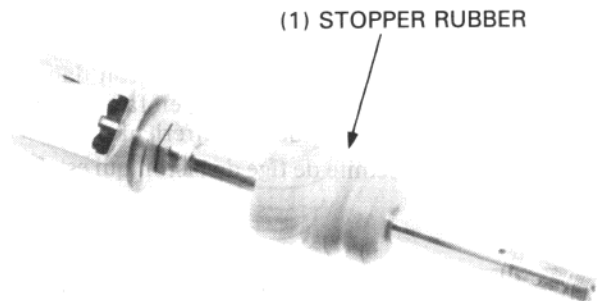


Wrap the top threads of the piston rod with tape.

Remove the rebound spring and rod guide case from the damper rod.



Remove the stopper rubber from the damper rod.



Inspect the piston rod sliding surface for damage or distortion. Small scratches can be removed with No. 2000 sand paper.

### NOTE

- Remove only small scratches and dress the area evenly.

Remove the screw, adjuster knob, springs and steel balls. Loosen the nut and remove the damper rod.

