

FRONT WHEEL/SUSPENSION/STEERING

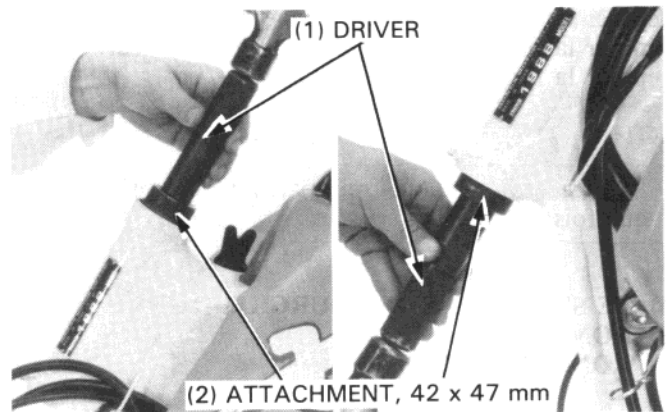
Install new bearing races.

NOTE

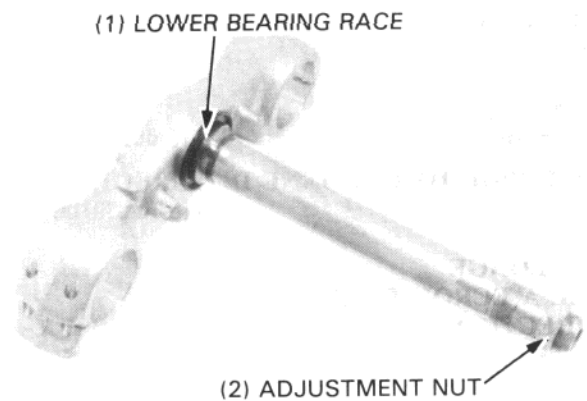
- If the motorcycle has been involved in an accident, examine the area around the steering head for cracks.

TOOLS:

DRIVER 07749-0010000
ATTACHMENT, 42 x 47 mm 07746-0010300



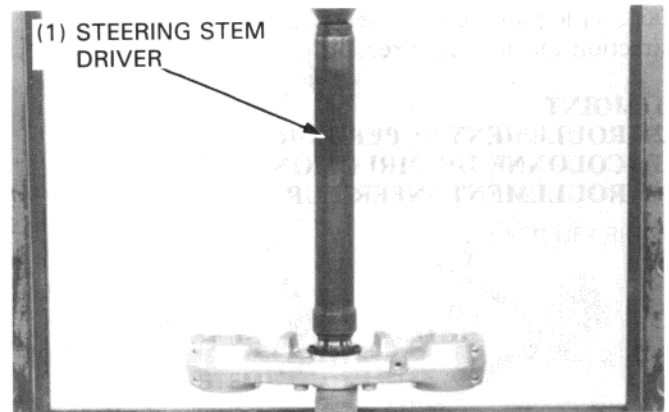
Install the bearing adjustment nut on the top end of the steering stem to prevent damage to the threads. Remove the lower bearing race from the steering stem. Replace the dust seal with a new one whenever it is removed.



Install the new dust seal.
Install the lower bearing using a hydraulic press and steering stem driver.

TOOL:

STEERING STEM DRIVER 07946-4300101 or
07946-MB00000 with
GN HT54



INSTALLATION

Pack the bearing cavities with bearing grease.
Install the steering stem into the steering head and install the upper bearing and seal.

