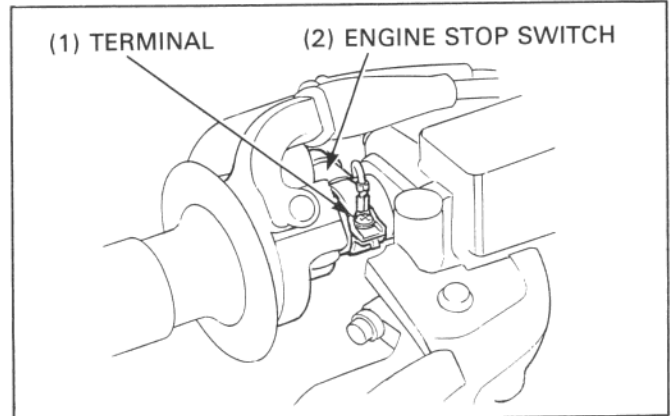
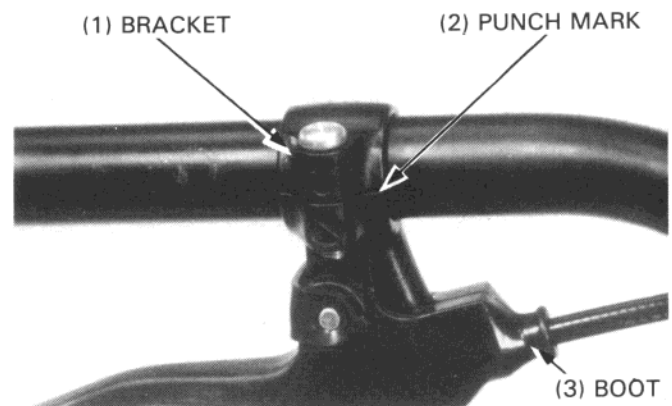


FRONT WHEEL/SUSPENSION/STEERING

Install the engine stop switch and terminal by aligning the slit of the switch holder with the punch mark on the handlebar. Tighten the screw.



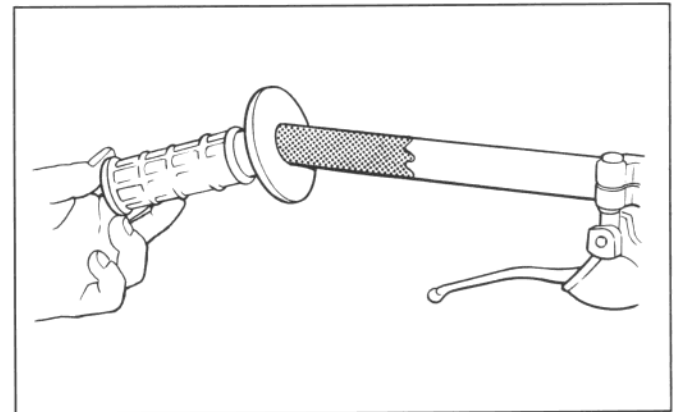
Install the manual decompressor lever bracket. Connect the decompressor cable and install the boot as shown. Align the split line of the manual decompressor bracket with punch mark on the handlebar and tighten the pinch screw securely.



Apply Honda Bond A to the inside surface of the grips and to the clean surface of the left handlebar and throttle pipe. Wait 3-5 minutes and install the grips. Rotate the grips for even application of the adhesive.

NOTE

- Allow the adhesive to dry for an hour before using.



Install the clutch lever bracket with the dot mark on the holder facing up. Align the end of the holder with the handlebar punch mark. Tighten the upper screw first, then the lower screw.

