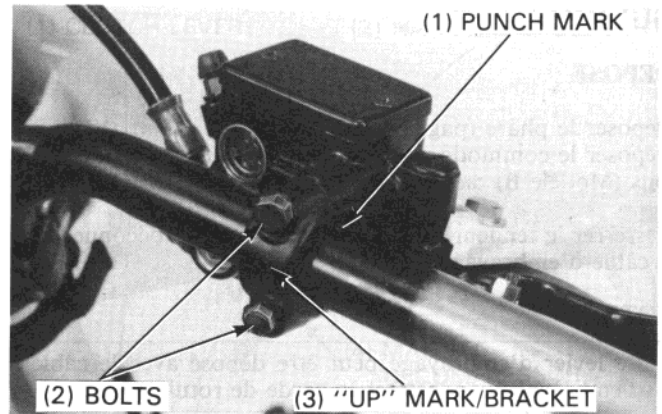


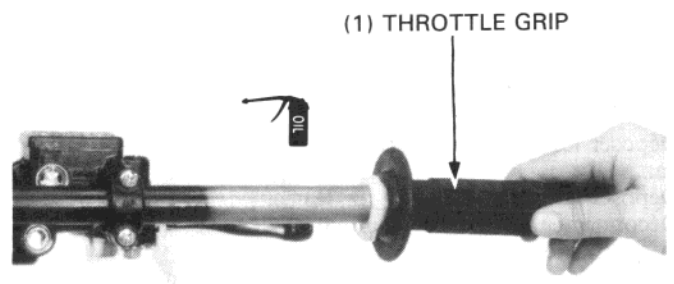
FRONT WHEEL/SUSPENSION/STEERING

Install the front brake master cylinder with "UP" on the bracket facing up. Align the end of the holder with the handlebar punch mark.

Tighten the upper bolt first, then the lower bolt.



Apply a light coating of Honda silicone lubricant or an equivalent to the throttle grip sliding surface and slide the throttle grip over the handlebar.

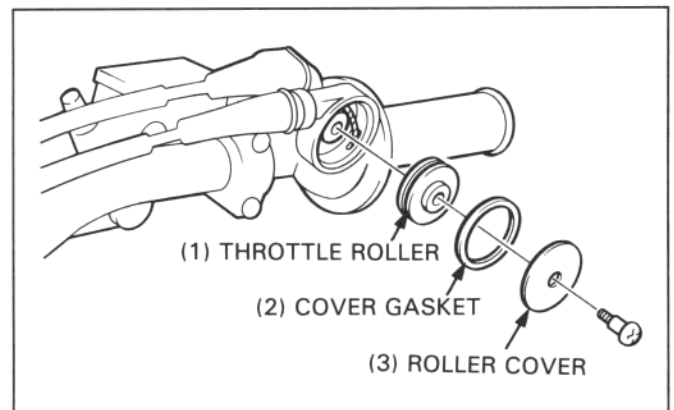


Apply grease to the throttle cable ends and the roller.

Connect the throttle cable to the grip.

Connect the throttle cable to the throttle roller and install the throttle roller on the body.

Install the new cover gasket.



Align the split line of the throttle body with the punch mark on the handlebar.

Tighten the forward screw first, then the rear screw.

Install the throttle roller cover on the throttle body and tighten the screw.

TORQUE: 4.3 N·m (0.43 kg·m, 3 ft·lb)

