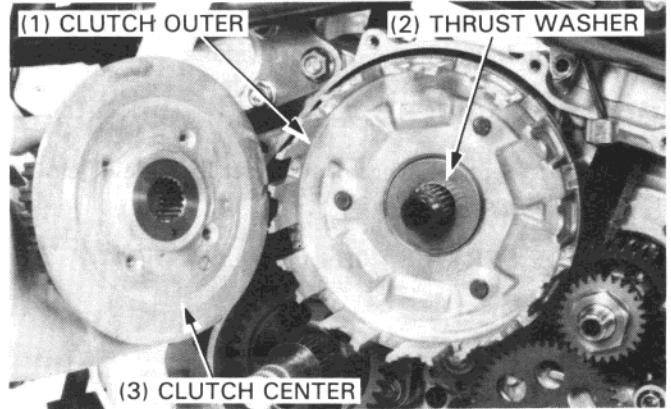


CLUTCH/KICK STARTER

Install the clutch outer over the outer guide.
Install the thrust washer, clutch center.



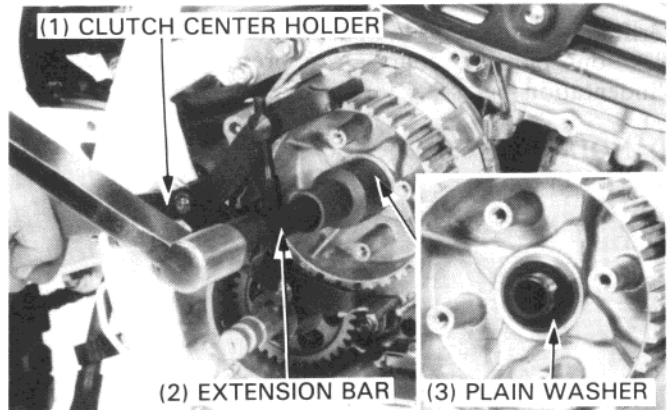
Install the clutch lock nut and plain washer.
Install the clutch center holder to hold the clutch center.
Tighten the lock nut to the specified torque.

TORQUE: 110 N·m (11 kg-m, 80 ft-lb)

Remove the clutch center holder.

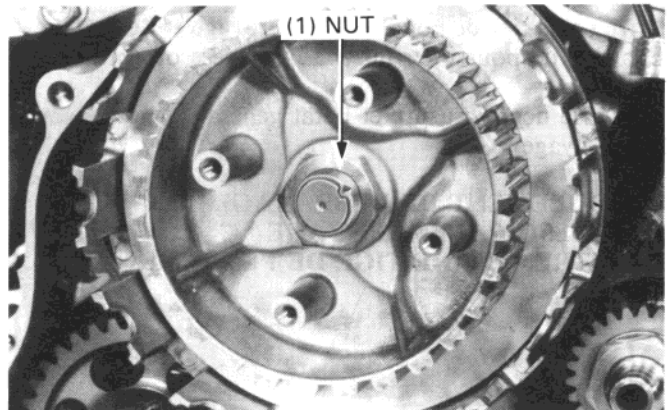
TOOLS:

CLUTCH CENTER HOLDER 07724-0050001
EXTENSION 07716-0020500
LOCK NUT WRENCH, 17 x 27 mm 07716-0020300



Stake the new clutch lock nut with a punch.
Install the clutch lifter rod.

Install the clutch release bearing and push rod tip into the pressure plate.



Coat the 7 discs and 6 plates with clean engine oil and install them as shown.

