

REAR WHEEL BRAKE/SUSPENSION



INSPECTION

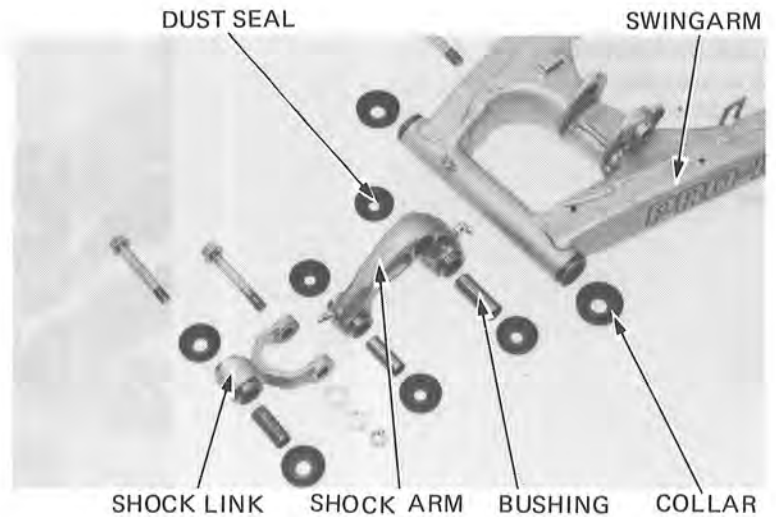
Inspect the collars, bearings.
Replace them if they have score marks, scratches,
or excessive or abnormal wear.

Apply molybdenum disulfide (MoS₂) paste (con-
taining more than 45% of MoS₂) to the insides of
the bushings and dust seal lips.

NOTE

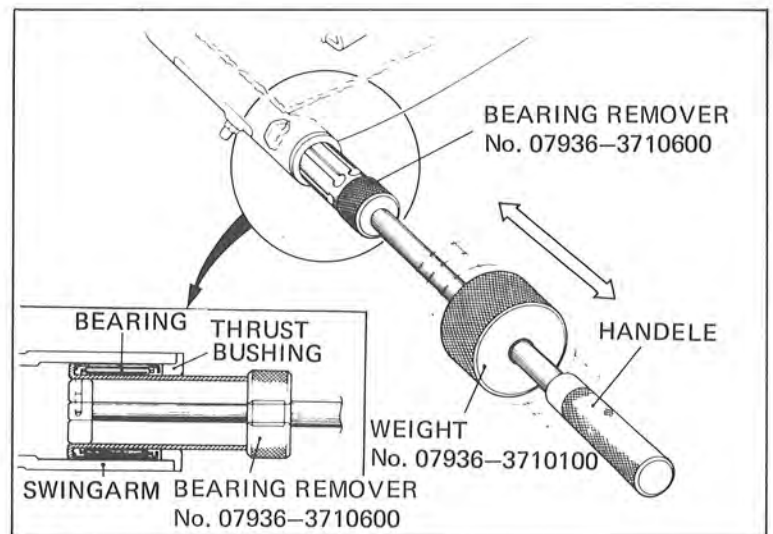
Use MoS₂ paste (containing more than 45% of
MoS₂) as follows:

- Molykote® G-n Paste manufactured by
Dow Corning U.S.A.
- Rocol Paste manufactured by Sumico
Lubricant Co., LTD., Japan.
- Other lubricants of equivalent quality.



PIVOT BEARING REPLACEMENT

Remove the dust covers and collar.
Install the bearing remover into the swing arm pivot
hole and expand the tool behind the bearing.
Drive bearing out with the slide hammer.



Clean the bearings, then lubricate them with grease.
carefully drive the needle bearings into the
swingarm with the special tool below the edge of
the hole.
Drive the thrust bushings into the swingarm with
the same tool.

NOTE

Install the bearings with the marks facing out

Lubricate the bearings with grease after installation.
Install the collar.

