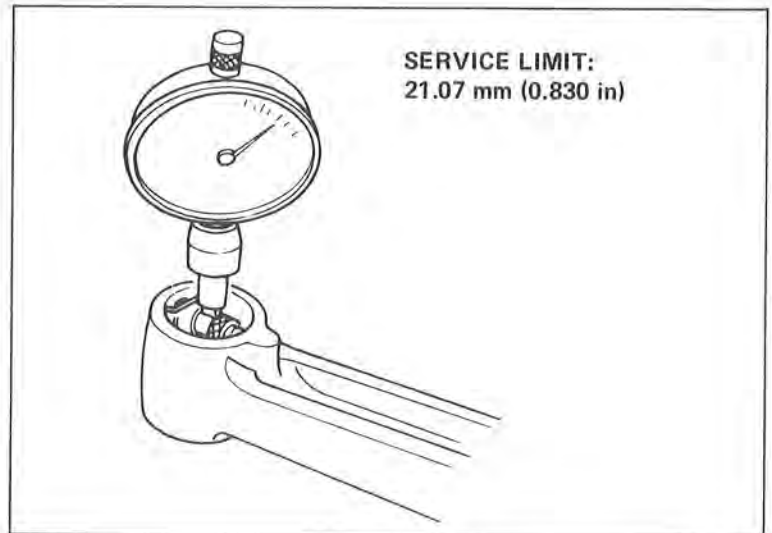
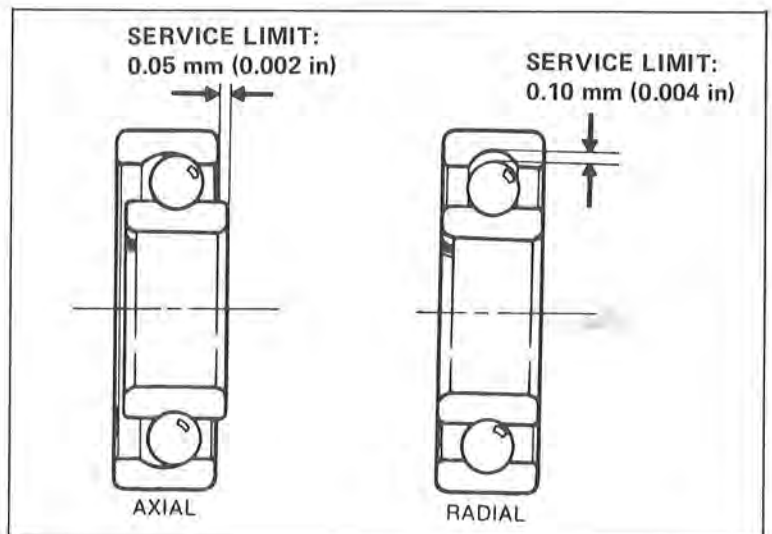




Measure the connecting rod small end I.D.



Spin the crankshaft bearing by hand and check for play.
The bearing must be replaced if it is noisy or has excessive play.



CAMSHAFT TIMING SPROCKET REPLACEMENT

Before installing a new sprocket, scribe a line from a tooth center over the gear boss in the axial direction.

Install the sprocket, aligning the scribed line with the dowel pin hole in the sprocket shaft.

