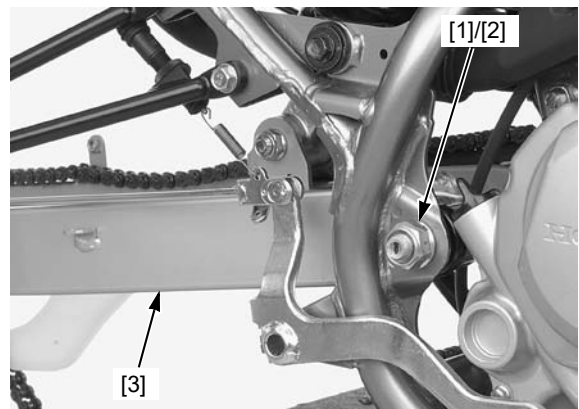


REAR WHEEL/BRAKE/SUSPENSION

Remove the swingarm pivot nut [1].
Remove the pivot bolt [2] from the left side and remove the swingarm [3].



DISASSEMBLY/ASSEMBLY

Disassemble and assemble the swingarm as following illustration.

- Drive chain adjuster [1]
- Chain slider [4]
- Needle bearings [7]
- Screw [2]
- Dust seals [5]
- Swingarm [8]
- Collar [3]
- Distance collar [6]

