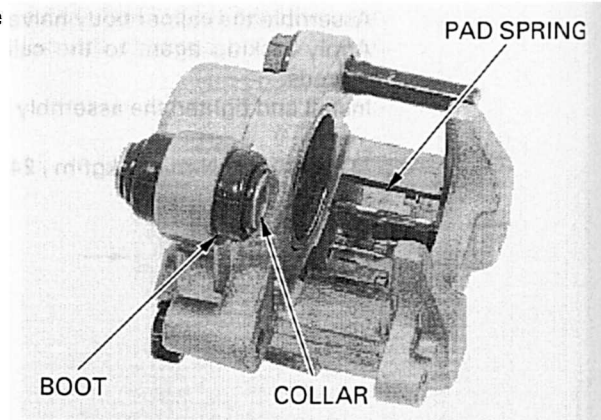


HYDRAULIC BRAKE

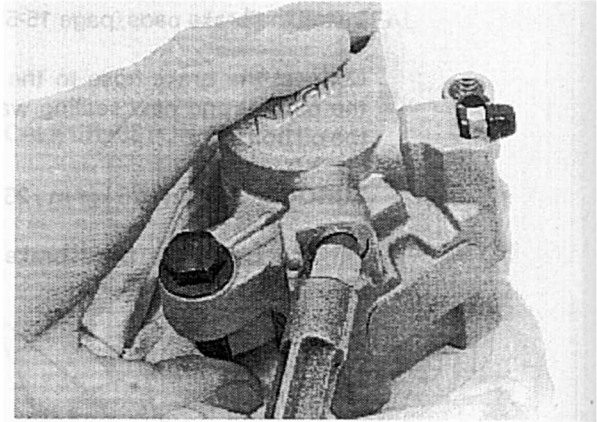
Remove the pad spring, collar and boot from the caliper body.



Place a shop towel over the piston. Position the caliper body with the piston down and apply small squirts of air pressure to the fluid inlet to remove the piston.

▲WARNING

Do not use high pressure air or bring the nozzle too close to the inlet.

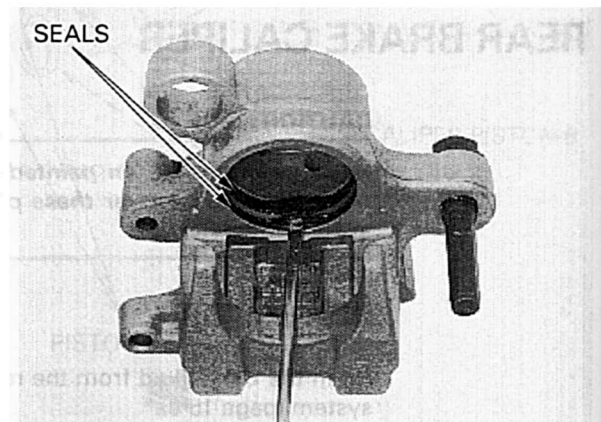


Push the dust seal and piston seal in and lift them out.

CAUTION:

Be careful not to damage the piston sliding surface.

Clean the seal grooves, caliper cylinder and piston with clean brake fluid.



INSPECTION

Check the caliper cylinder and piston for scoring, scratches or damage.

Measure the caliper cylinder I. D.

SERVICE LIMIT: 38.24 mm (1.506 in)

Measure the caliper piston O. D.

SERVICE LIMIT: 38.09 mm (1.500 in)

