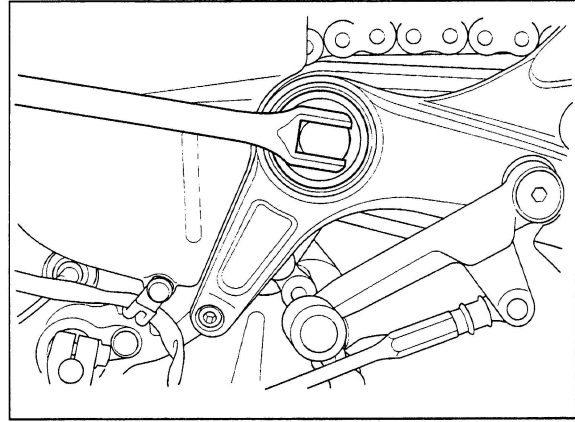
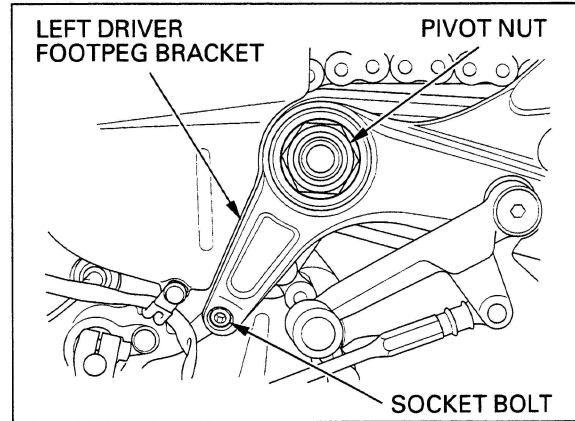


## REAR WHEEL/SUSPENSION

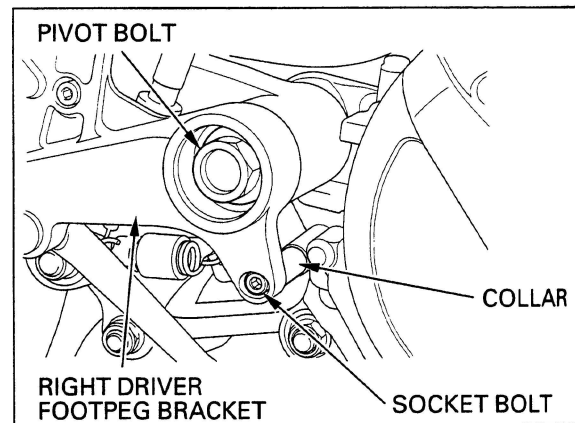
Loosen the swingarm pivot nut.



Remove the socket bolt, swingarm pivot nut and left driver footpeg bracket.



Remove the socket bolt and collar.  
Remove the swingarm pivot bolt and right driver footpeg bracket.  
Remove the swingarm from the frame.



## DISASSEMBLY

Remove the two bolts and drive chain slider if necessary.

