

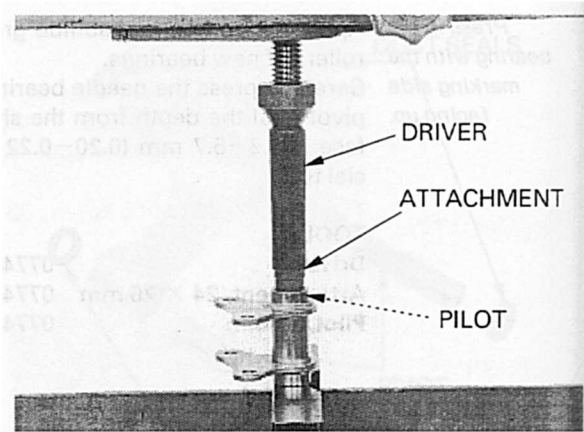
REAR WHEEL/SUSPENSION

Press in the bearing with the marking side facing up.

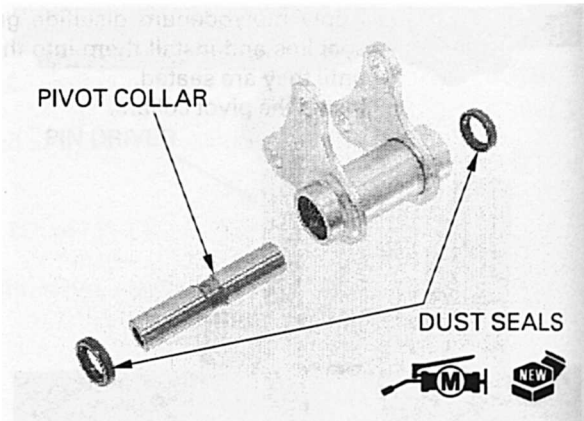
Apply molybdenum disulfide grease to the needle rollers of new bearings. Carefully press the needle bearing in the shock link pivot until the depth from the shock link outer surface is 5.2–5.7 mm (0.20–0.22 in), using the special tool.

TOOLS:

Driver	07749-0010000
Attachment, 24 × 26 mm	07746-0010700
Pilot, 17 mm	07746-0040400



Apply molybdenum disulfide grease to new dust seal lips and install them into the shock link pivots until they are seated. Install the pivot collar.

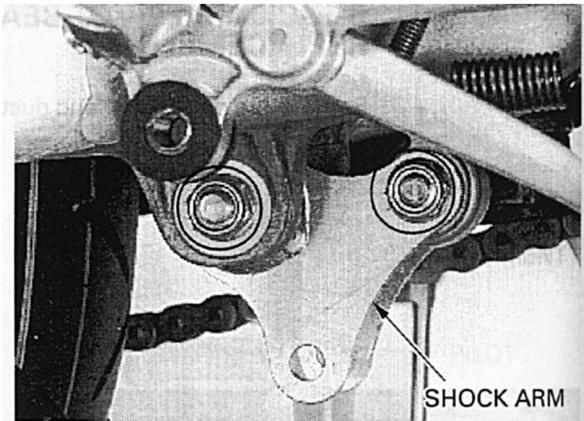


INSTALLATION

Install the shock arm onto the shock absorber and swingarm with the "FR" mark (arrow) facing forward.

Tighten the nuts.

TORQUE: 44 N·m (4.5 kgf·m , 33 lbf·ft)



Install the shock link onto the shock arm and shock link bracket.

Tighten the nuts.

TORQUE: 44 N·m (4.5 kgf·m , 33 lbf·ft)

Install the exhaust pipe and mufflers (page 2-6).

