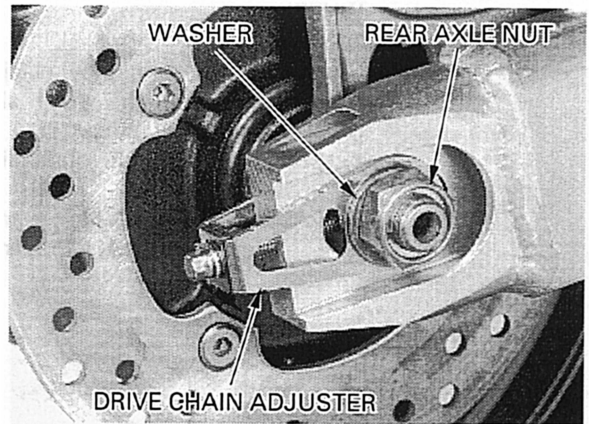


## REAR WHEEL

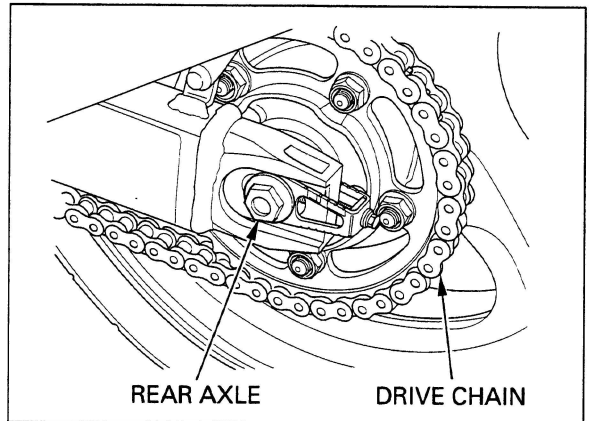
### REMOVAL

Loosen the drive chain adjusters and rear axle nut. Raise the rear wheel off the ground and support the motorcycle securely with a hoist or equivalent. Remove the rear axle nut and washer.

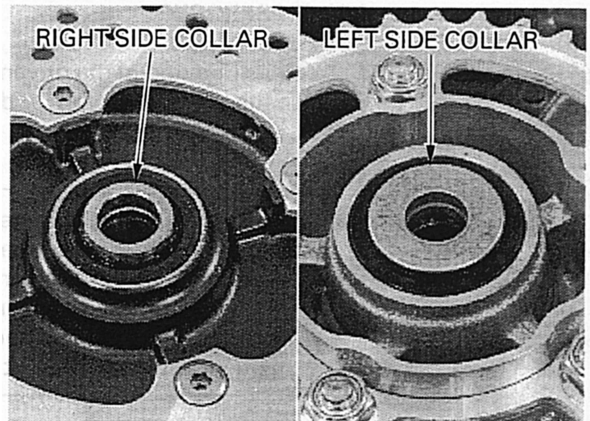


Push the rear wheel forward and derail the drive chain from the final driven sprocket.

Remove the rear axle and the rear wheel.



Remove the side collars.



### INSPECTION

#### AXLE

Place the axle in V-blocks and measure the runout. Actual runout is 1/2 the total indicator reading.

**SERVICE LIMIT:** 0.20 mm (0.008 in)

