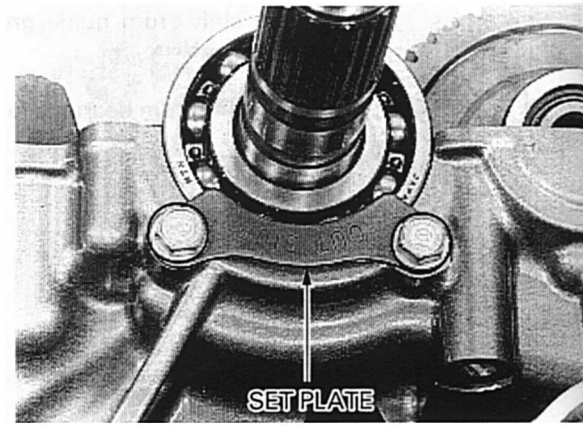


## TRANSMISSION

### DISASSEMBLY

Separate the crankcase halves (page 11-3).

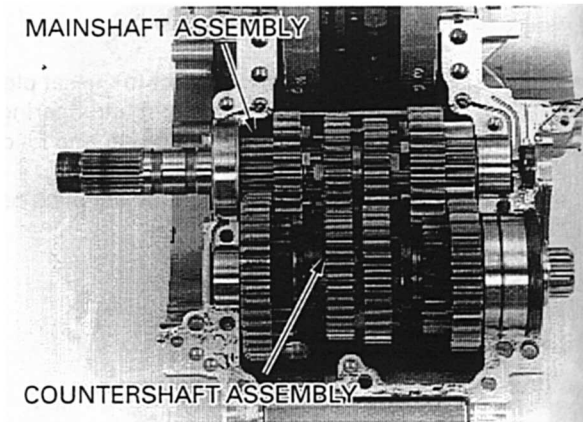
Remove the mainshaft bearing set plate.



Remove the mainshaft and countershaft assemblies.

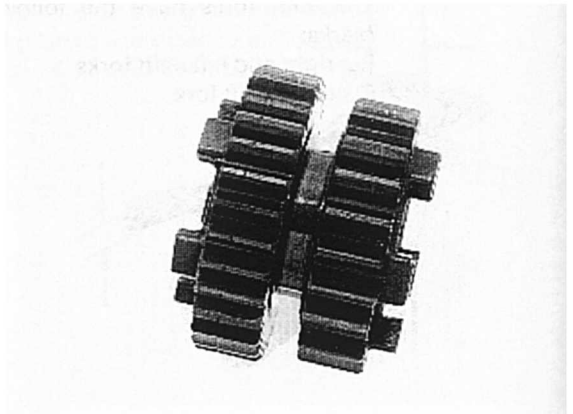
Disassemble the mainshaft and countershaft.

Clean all disassembled parts in solvent thoroughly.



### INSPECTION

Check the gear shifter groove for abnormal wear or damage.



Check the gear dogs and teeth for abnormal wear or damage.

Measure the gear I.D.

**SERVICE LIMITS: M5, M6:** 31.04 mm (1.222 in)  
**C2, C3, C4:** 33.05 mm (1.301 in)

