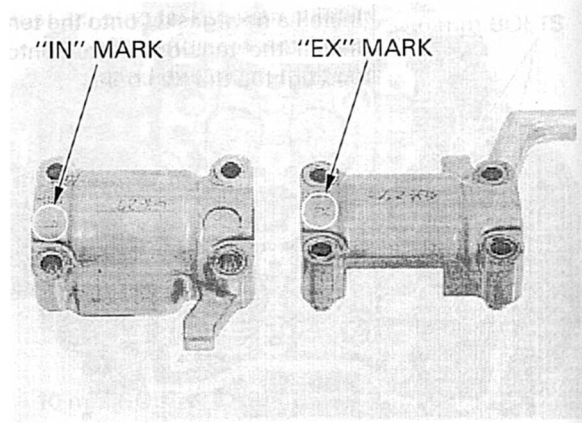


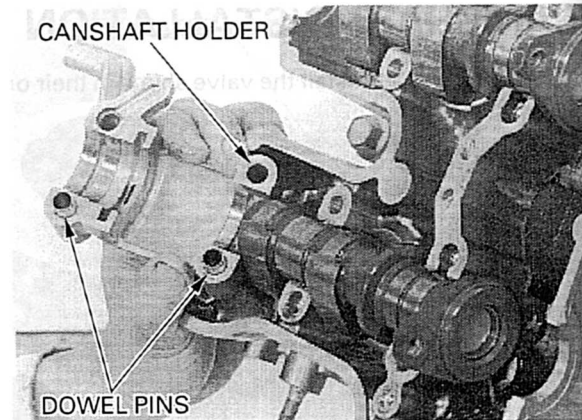
CYLINDER HEAD/VALVE

The camshaft holders have the following identification marks:

IN: Intake camshaft holder
EX: Exhaust camshaft holder

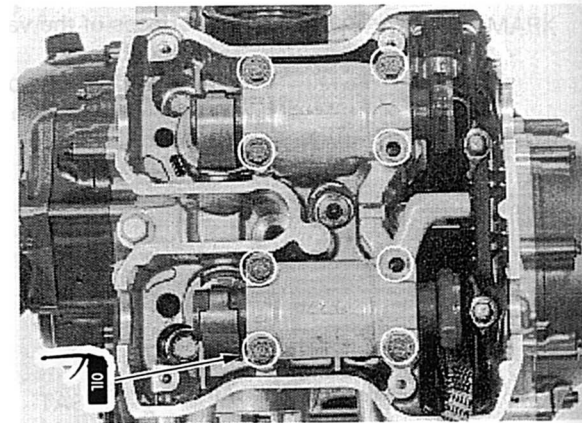


Install the dowel pins.
Install the camshaft holders in their proper locations.



Apply oil to the threads and seating surfaces of the camshaft holder bolts.
Install the bolts and tighten them in a crisscross pattern in 2 or 3 steps.

TORQUE: 21 N·m (2.1 kgf·m , 15 lbf·ft)



CAM SPROCKET INSTALLATION

NOTE:

- If both front and rear camshafts were serviced, install the front cam sprockets first, then install the rear cam sprockets.
- Even if you are servicing either the front or rear cylinder head, the other cylinder head cover must be removed and the other cam sprocket position must be checked.

Remove the crankshaft hole cap and timing hole cap.

