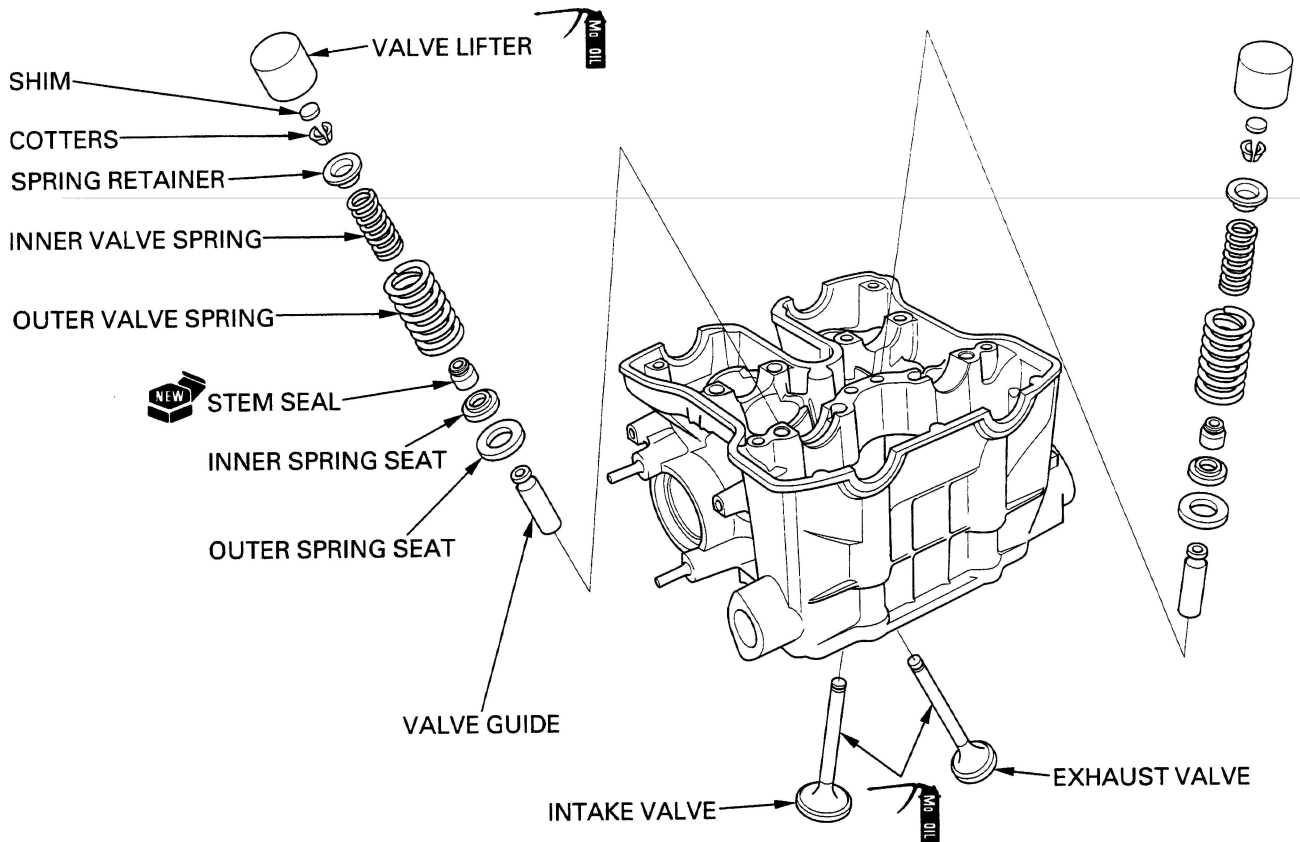


CYLINDER HEAD ASSEMBLY



Blow through all oil passages in the cylinder head with compressed air.
 Install the inner and outer valve spring seats.
 Install new stem seals.

NOTE:

Do not interchange the intake and exhaust stem seals.
 The intake stem seal has silver spring and the exhaust stem seal has black spring.

Lubricate the valve stem sliding surface with molybdenum oil solution.
 Insert the valve into the guide while turning it slowly to avoid damage to the stem seal.

Install the inner and outer valve springs with the tightly wound coils facing the combustion chamber.

Install the spring retainer.

