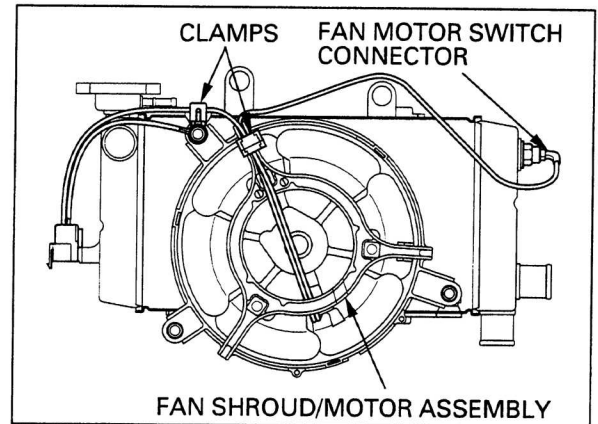


Install the fan shroud/motor assembly with the clamps and ground terminal onto the right radiator as shown and tighten the bolts.

Route and clamp the fan motor wires properly as shown.

Install the right radiator (page 6-6).



## **RADIATOR RESERVE TANK**

### **REMOVAL/INSTALLATION**

Remove the front fairing (page 2-3).

Disconnect the radiator siphon tube from the radiator filler neck and drain the coolant from the reserve tank.

Remove the mounting bolt and the reserve tank from the frame.

Install the reserve tank in the frame and insert its boss into the hole in the frame.

Install the removed parts in the reverse order of removal.

Fill the reserve tank with recommended coolant to the upper level line.

