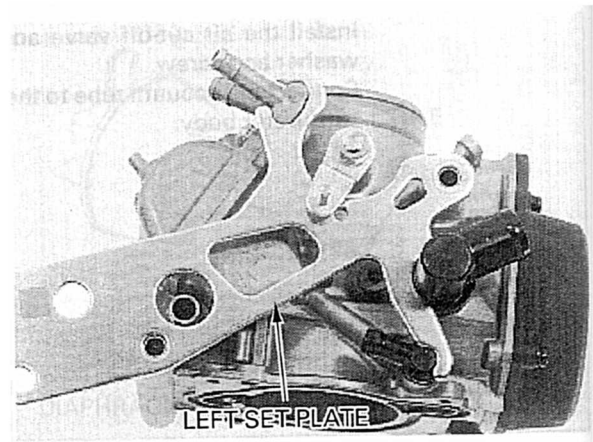


FUEL SYSTEM

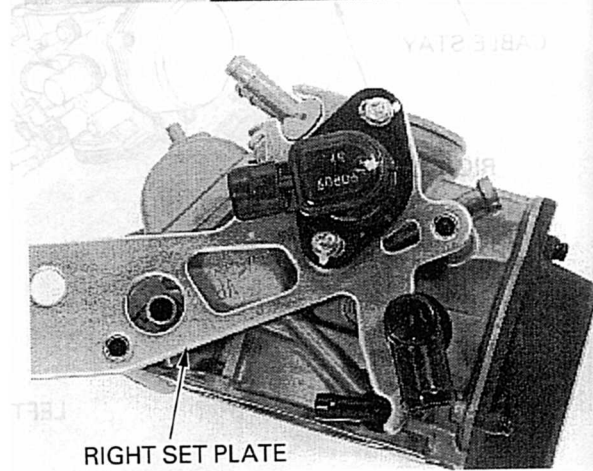
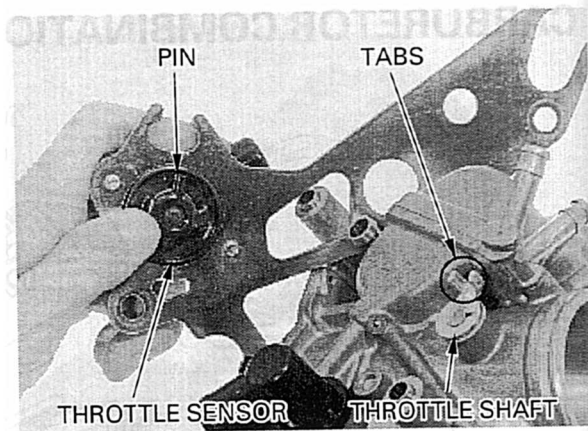
Install the left set plate onto the front carburetor as shown.



Install the right set plate onto the rear carburetor so that the pin of the throttle sensor is positioned between the tabs of the throttle shaft.

CAUTION:

Do not remove the throttle sensor from the set plate unless it requires replacement. It can cause the throttle sensor getting out of position resulting in improper ignition timing.



Install the fuel tubes and dowel pins, and assemble the front and rear carburetors.

