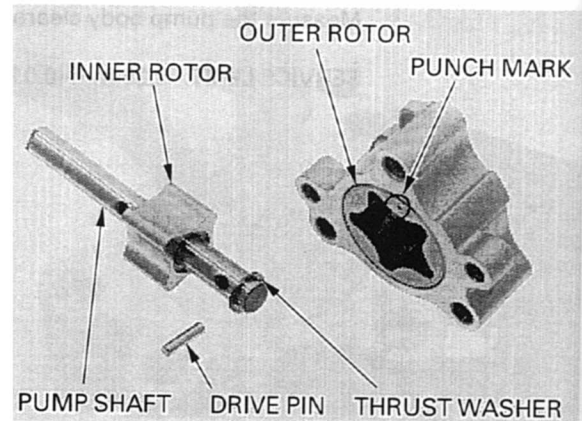
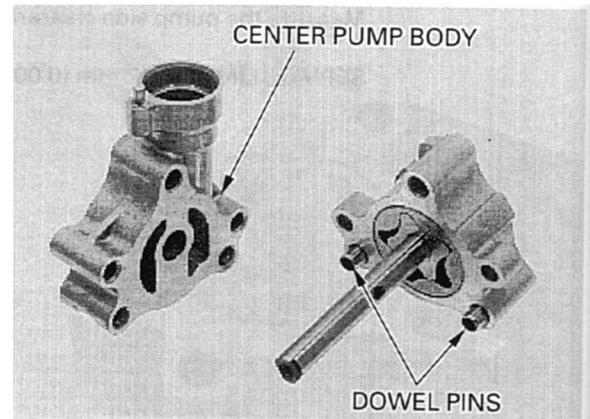


LUBRICATION SYSTEM

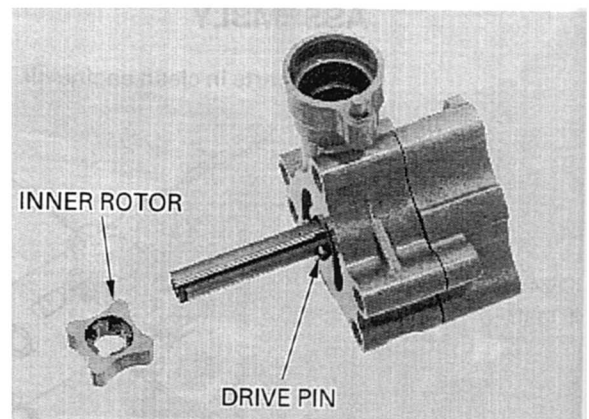
Install the main pump outer rotor into the pump body with the punch mark facing out.
Install the drive pin into the pump shaft, and install the main pump inner rotor onto the shaft, aligning the slots with the drive pin.
Install the thrust washer, shaft and inner rotor into the main pump body.



Install the dowel pins.
Install the main pump assembly onto the center pump body.



Install the drive pin into the pump shaft and install the cooler pump inner rotor onto the shaft, aligning the slots with the drive pin.



Install the cooler pump outer rotor with the punch mark toward the cooler pump body.
Install the dowel pins.
Install the cooler pump body onto the center pump body.

