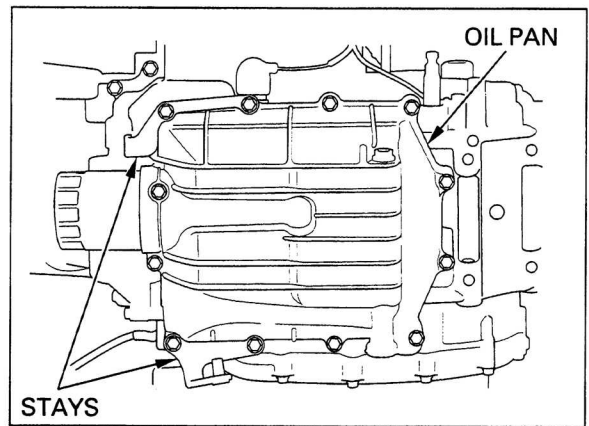


OIL STRAINER/PRESSURE RELIEF VALVE

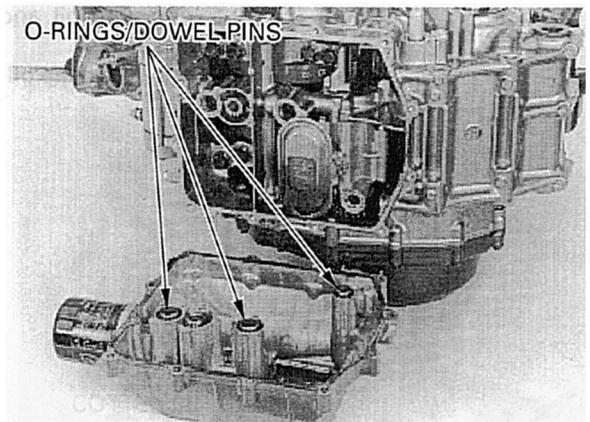
OIL PAN REMOVAL

Drain the engine oil (page 3-10).
Remove the exhaust pipe (page 2-5).

Remove the twelve oil pan mounting bolts, under cover stays and the oil pan.



Remove the dowel pins and O-rings.

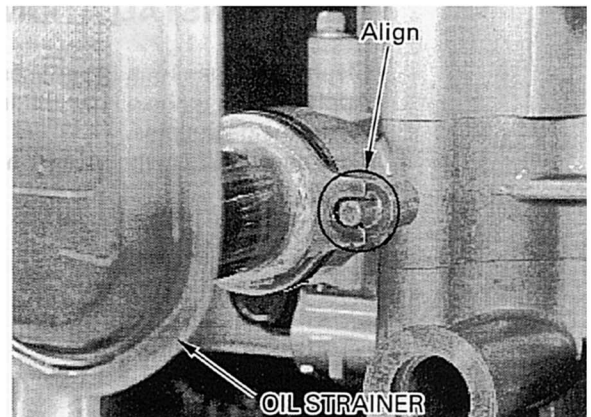


OIL STRAINER

Remove the oil strainer and seal rubber from the oil pump.

Clean the oil strainer screen thoroughly.

Coat a new seal rubber with oil and install it onto the strainer.
Install the strainer, aligning its groove with the pin on the oil pump.



OIL PRESSURE RELIEF VALVE

Remove the oil pressure relief valve from the oil pan.
Remove the O-ring from the relief valve body.

