

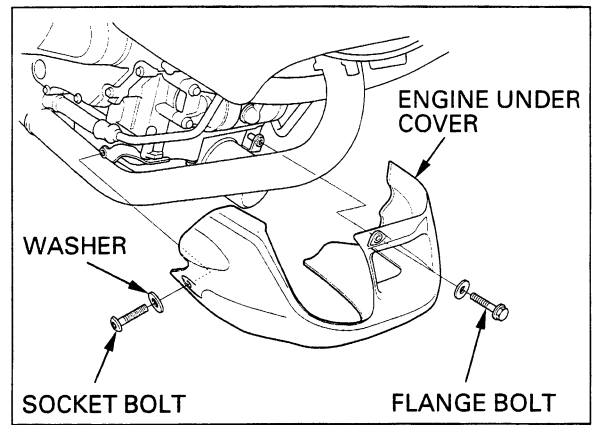
ENGINE UNDER COVER

Remove the two bolts, washers and the engine under cover.

Install the engine under cover and tighten the bolts.

NOTE:

Use the socket bolt for the right side mounting.



FUEL TANK

▲WARNING

Gasoline is extremely flammable and is explosive under certain conditions. KEEP OUT OF REACH OF CHILDREN.

Remove the seat (page 2-3).

Disconnect the fuel reserve sensor 2P connector.

Remove the front mounting bolts and washers, and raise the front of the fuel tank.

Disconnect the fuel tubes and vacuum tube from the fuel valve.

Disconnect the fuel tank breather tube and drain tube from the fuel tank.

Remove the rear mounting nut, bolt and the fuel tank.

Install the fuel tank in the reverse order of removal.

