

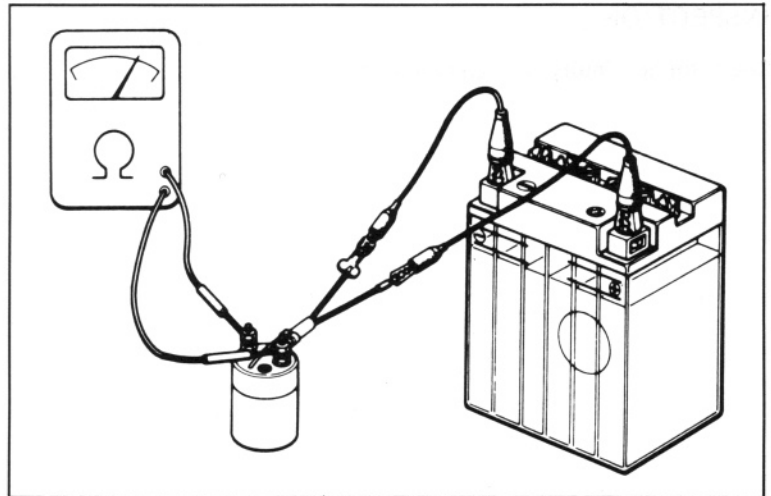
STARTER RELAY SWITCH

INSPECTION

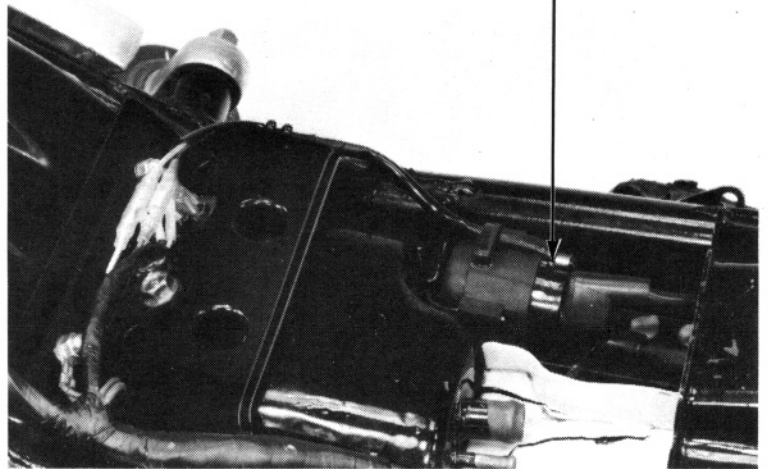
Depress the starter switch button with the ignition ON. The coil is normal if the starter relay switch clicks.

Connect an ohmmeter to the starter relay switch terminals.

Connect a 12 V battery to the switch cable terminals. The switch is normal if there is continuity.



STARTER RELAY SWITCH



CLUTCH DIODE

REMOVAL

Remove the fuel tank.

Remove the clutch diode from the wire harness.

CLUTCH DIODE

