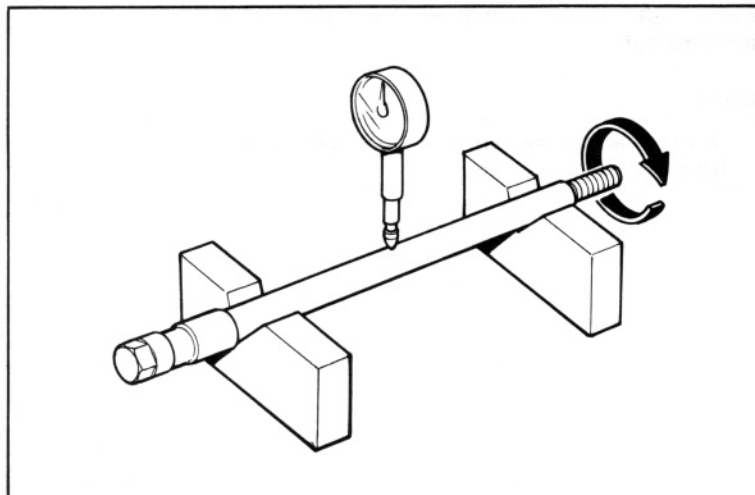


## FRONT WHEEL/SUSPENSION

### AXLE INSPECTION

Set the axle in V blocks and measure the runout. The actual runout is 1/2 of the total indicator reading.

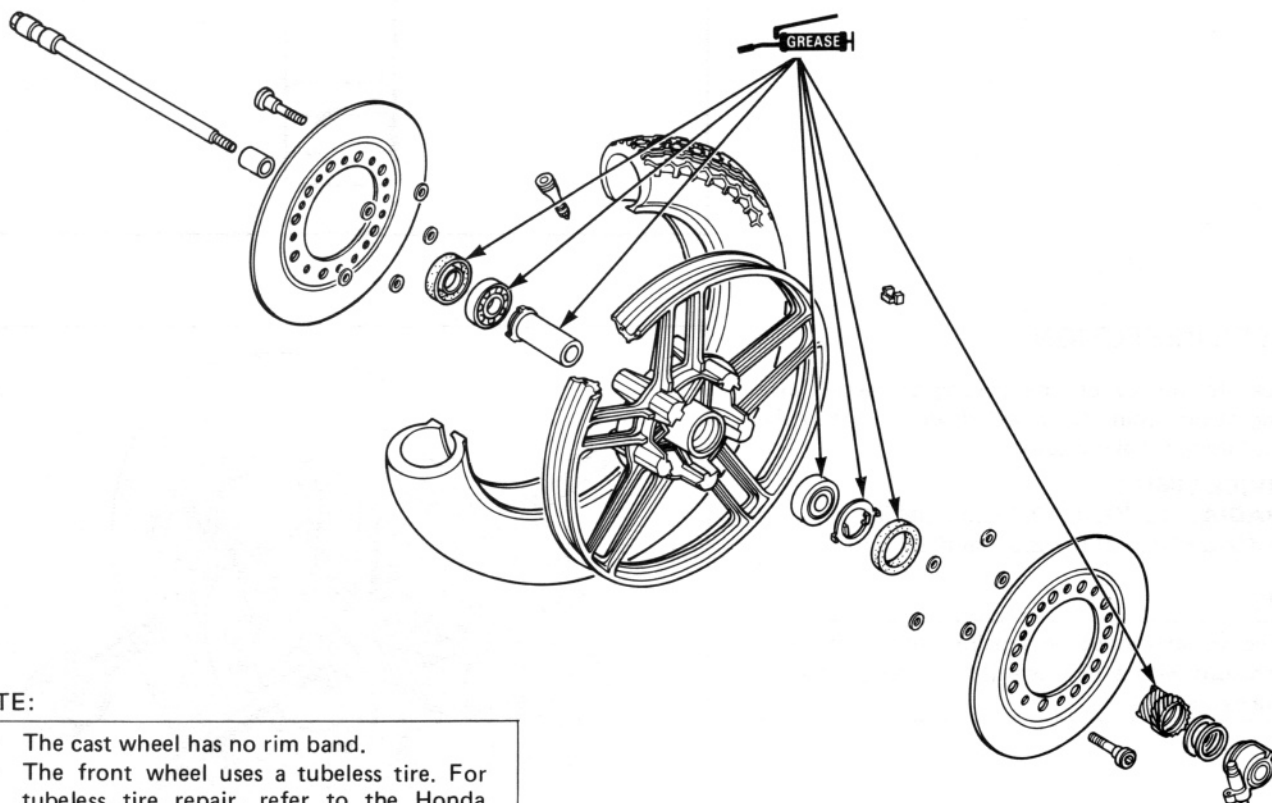
**SERVICE LIMIT: 0.2 mm (0.01 in)**



### ASSEMBLY

#### **WARNING**

*Do not get grease on the brake disc or stopping power will be reduced.*



#### NOTE:

- The cast wheel has no rim band.
- The front wheel uses a tubeless tire. For tubeless tire repair, refer to the Honda Tubeless Tire Manual.