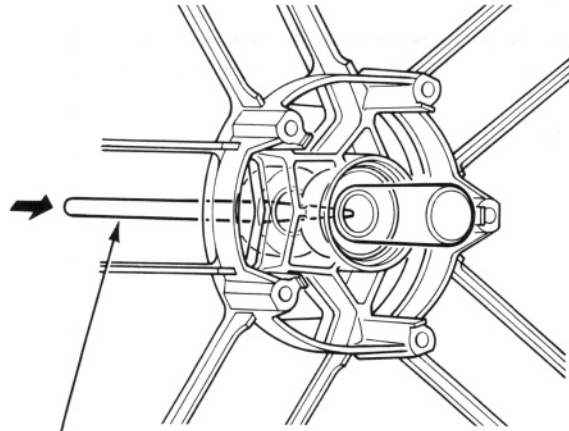


Remove the wheel bearings and the distance collar from the hub.

**NOTE:**

If the bearings are removed, they should be replaced with new ones.

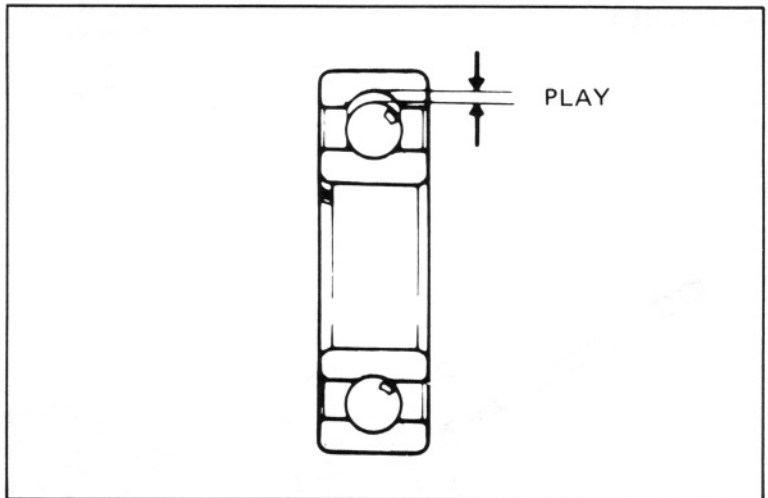


WHEEL BEARING REMOVER EXPANDER  
07746-0050100  
WHEEL BEARING REMOVER COLLET,  
15 mm 07746-0050400 OR  
COMMERCIALY AVAILABLE IN U.S.A.

**WHEEL BEARING INSPECTION**

Check wheel bearing play by placing the wheel in a truing stand and spinning the wheel by hand. Replace the bearings with new ones if they are noisy or have excessive play.

**SERVICE LIMIT: 0.03 mm (0.001 in)**



**WHEEL INSPECTION**

Check the rim runout by placing the wheel in a truing stand. Spin the wheel slowly and read the runout using a dial indicator.

**SERVICE LIMITS:**

**RADIAL RUNOUT: 2.0 mm (0.08 in)**

**AXIAL RUNOUT: 2.0 mm (0.08 in)**

**NOTE:**

The wheel cannot be repaired and must be replaced with a new one if the service limits are exceeded.

