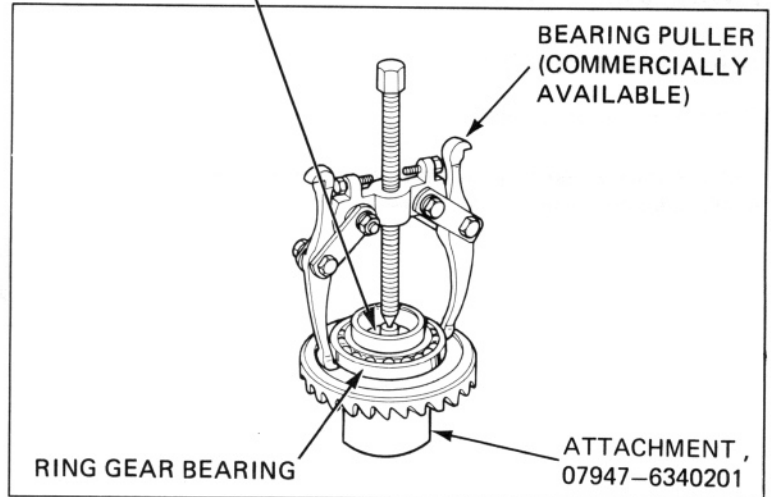


## DRIVE TRAIN

ATTACHMENT, 32 x 35 mm 07746-0010100  
PILOT, 30 mm 07746-0040700

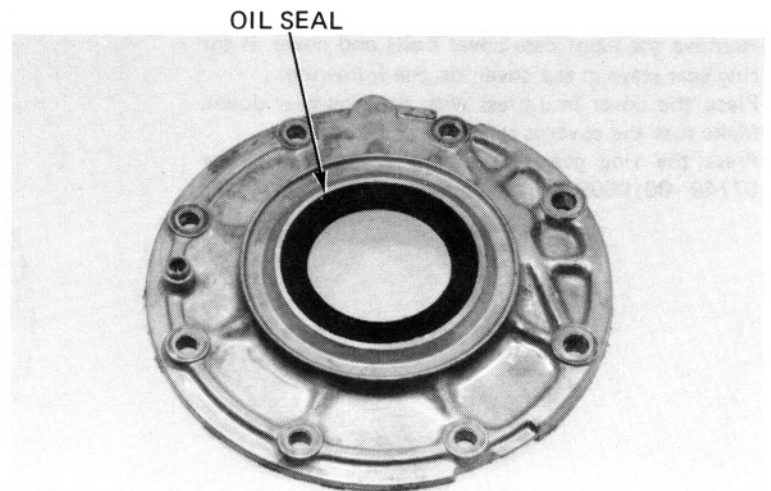
### RING GEAR BEARING REMOVAL

Remove the ring gear bearing and gear adjusting spacer.



### CASE COVER OIL SEAL REPLACEMENT

Remove the oil seal from the case cover and press in a new oil seal.



### PINION GEAR REMOVAL

Install the pinion joint holder onto the pinion joint and remove the pinion shaft nut.  
Remove the tool and pinion joint.

