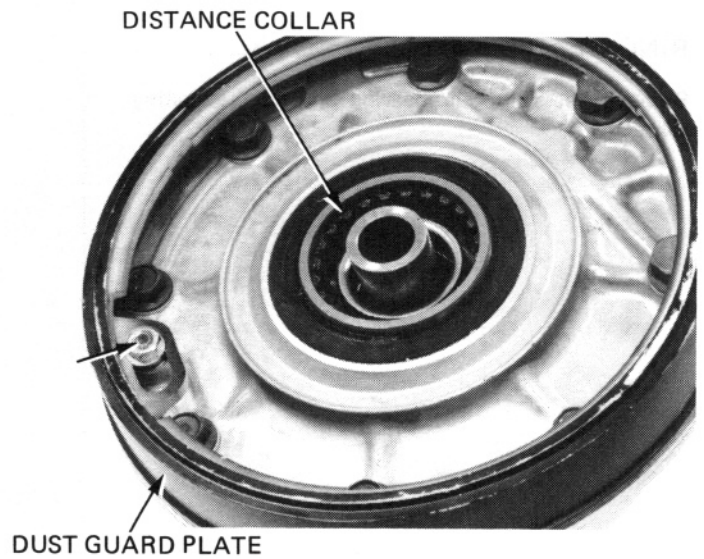


## FINAL DRIVE GEAR

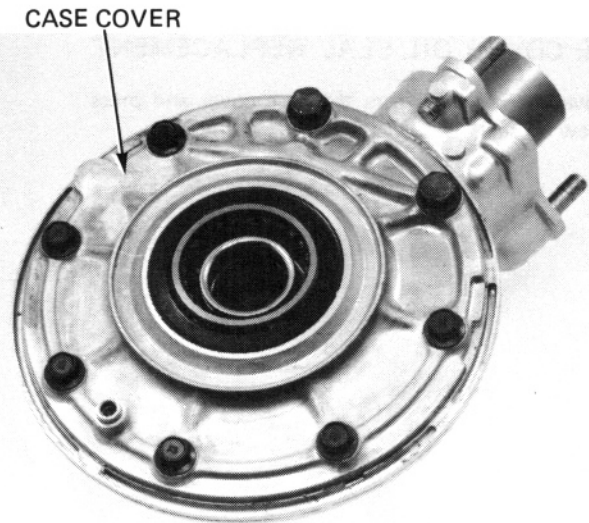
### RING GEAR REMOVAL

Remove the distance collar.

Remove the dust guard plate bolts. Remove the dust guard plate by turning it clockwise.



Remove the eight case cover bolts and cover. If the ring gear stays in the cover, do the following: Place the cover in a press with the ring gear down. Make sure the cover is securely supported. Press the ring gear out of the cover with driver 07749-0010000 and attachment 07746-0010100.



Remove the ring gear from the final drive case.

Remove the O-ring guide by tapping it from the opposite side.

