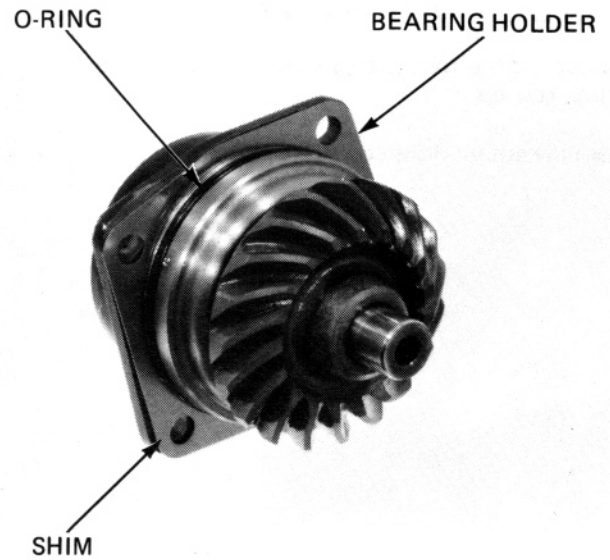


CRANKSHAFT/TRANSMISSION

Remove the shim and O-ring from the bearing holder.

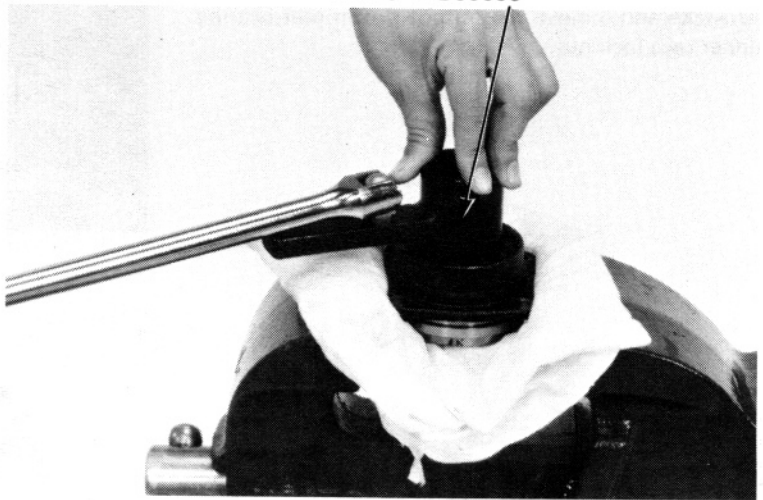


LOCK NUT WRENCH, 30/64 mm
07916-MB00000

OUTPUT DRIVEN GEAR BEARING REPLACEMENT

Remove the output driven gear oil seal from the output gear case.

Place the output driven gear bearing holder into a vise with soft jaws. Unstake and remove the output driven gear bearing outer race lock nut from the holder.



Press the output driven gear shaft from the holder.

