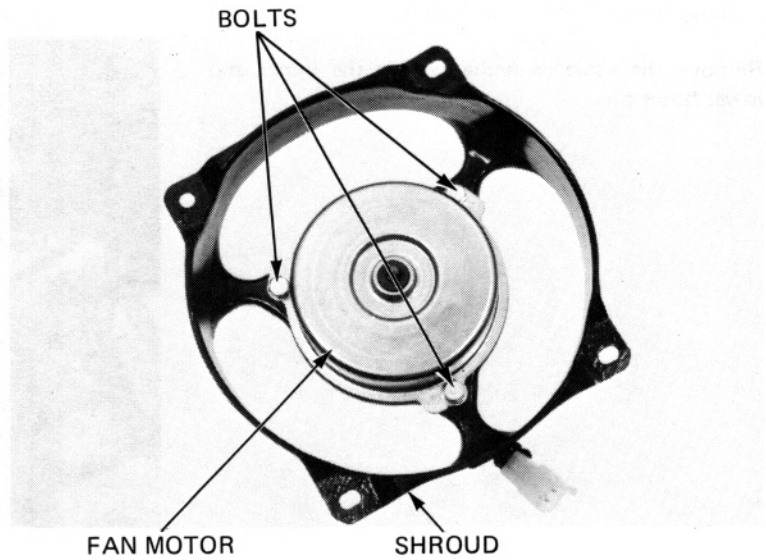


## COOLING SYSTEM

---

Remove the three fan motor attaching bolts and remove the fan motor from the shroud.

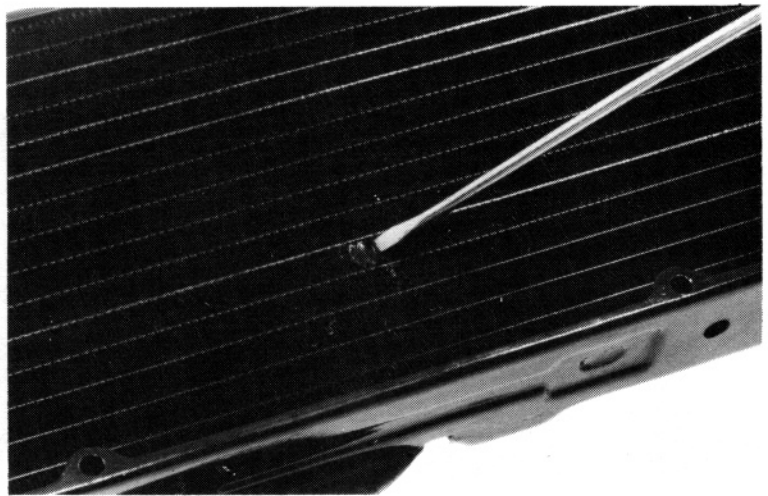


### RADIATOR INSPECTION

Inspect the radiator soldered joints and seams for leaks.

Blow dirt out from between core fins with compressed air. If insects, etc., are clogging the radiator, wash them off with low pressure water.

Carefully straighten any bent fins.



### ASSEMBLY

Install the fan motor on the fan shroud and tighten the three bolts.

Secure the fan motor wires with the clamp on the shroud.

