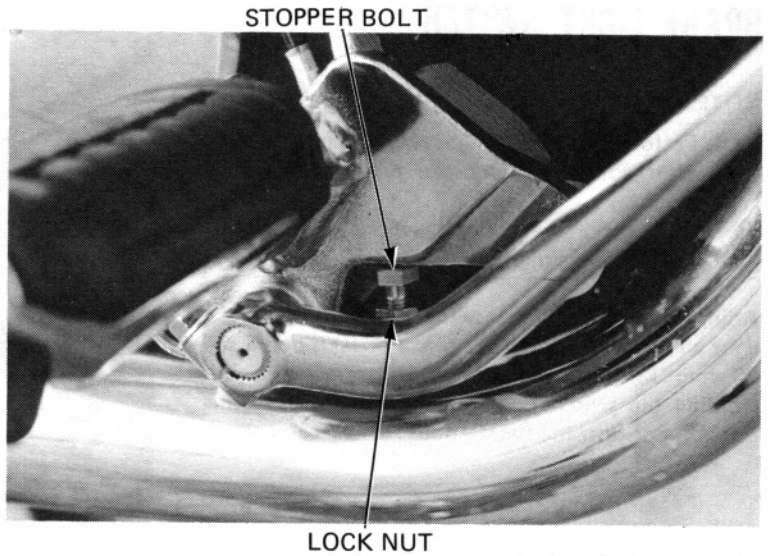


To Adjust:
Loosen the stopper bolt lock nut and turn the stopper bolt.
Retighten the lock nut.

NOTE:

After adjusting the brake pedal height, check the rear brake light switch and brake pedal free play and adjust if necessary.



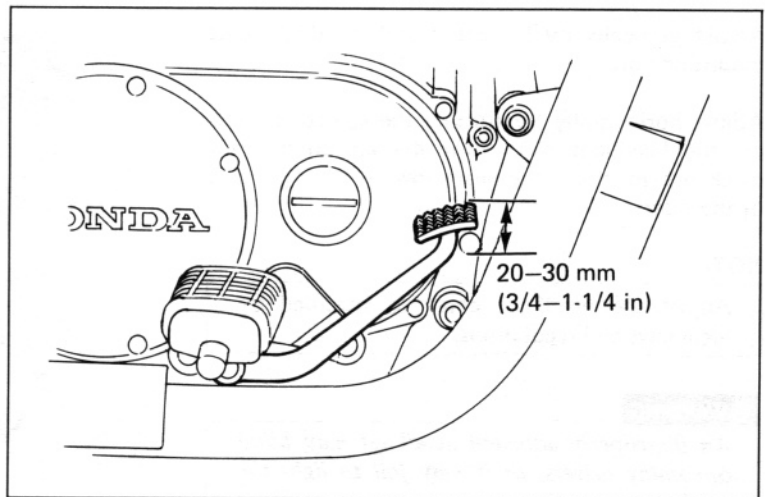
BRAKE PEDAL FREE PLAY

NOTE:

Perform brake pedal free play adjustment after adjusting brake pedal height.

Check the brake pedal free play.

FREE PLAY: 20–30 mm (3/4–1-1/4 in)



If adjustment is necessary, turn the rear brake adjusting nut.

