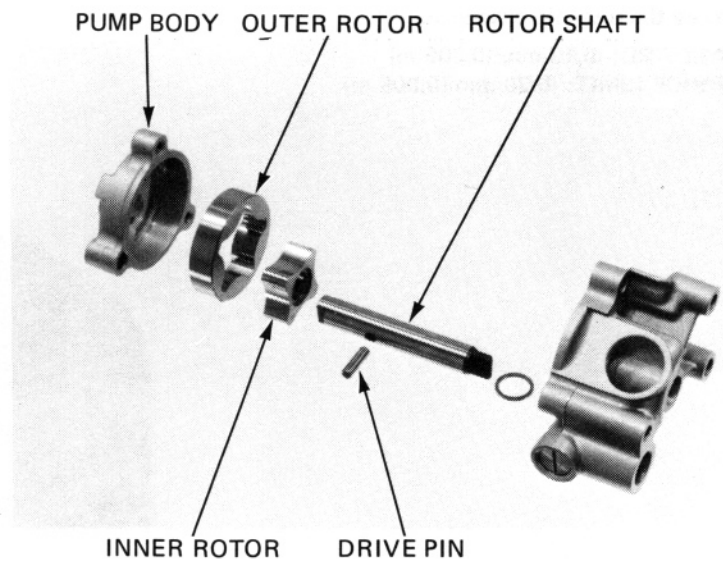


## LUBRICATION

### ASSEMBLY

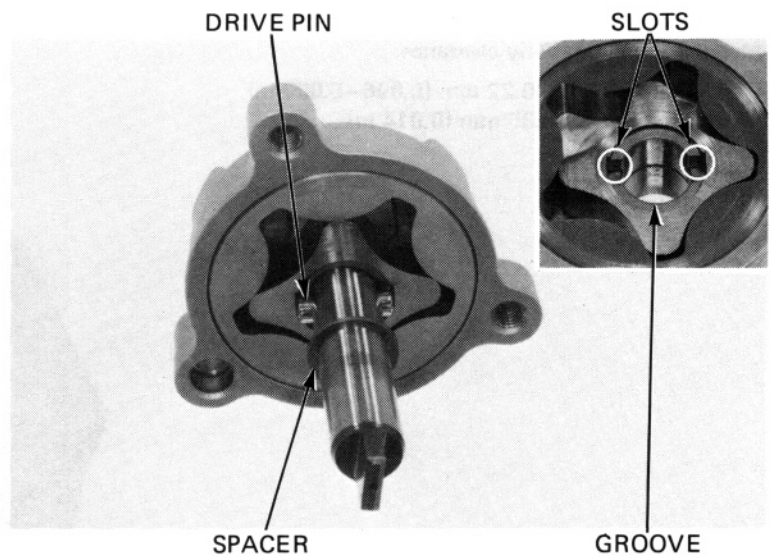
Install the outer rotor into the body and insert the rotor shaft.

Insert the drive pin into the rotor shaft.



Align the slots in the inner rotor with the drive pin.

Place the spacer into the inner rotor groove.



Install the dowel pin and oil pump body cover.

Make sure the rotor shaft is rotating smoothly.

