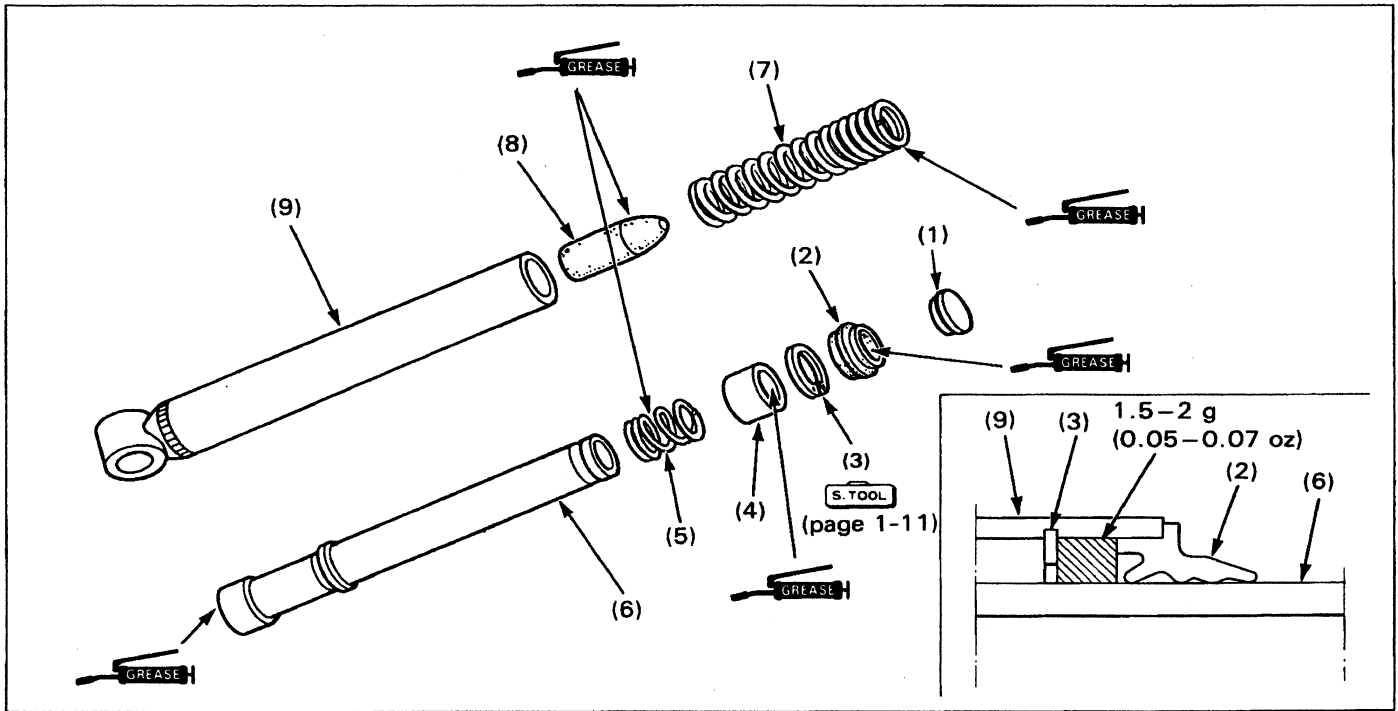


Fork Disassembly/Assembly



Requisite Service

• Fork removal/installation (page 11-7)

| Procedure | Q'ty | Remarks |
|--------------------------|------|--|
| Disassembly Order | | Assembly is in the reverse order of disassembly. |
| (1) Fork tube cap | 1 | NOTE • After installation, pack 1.5-2 g (0.05-0.07 oz) of grease between the bottom case and fork tube as shown. |
| (2) Dust seal | 1 | |
| (3) Snap ring | 1 | |
| (4) Bushing | 1 | |
| (5) Rebound spring | 1 | |
| (6) Fork tube | 1 | |
| (7) Fork spring | 1 | |
| (8) Stopper rubber | 1 | |
| (9) Bottom case | 1 | |