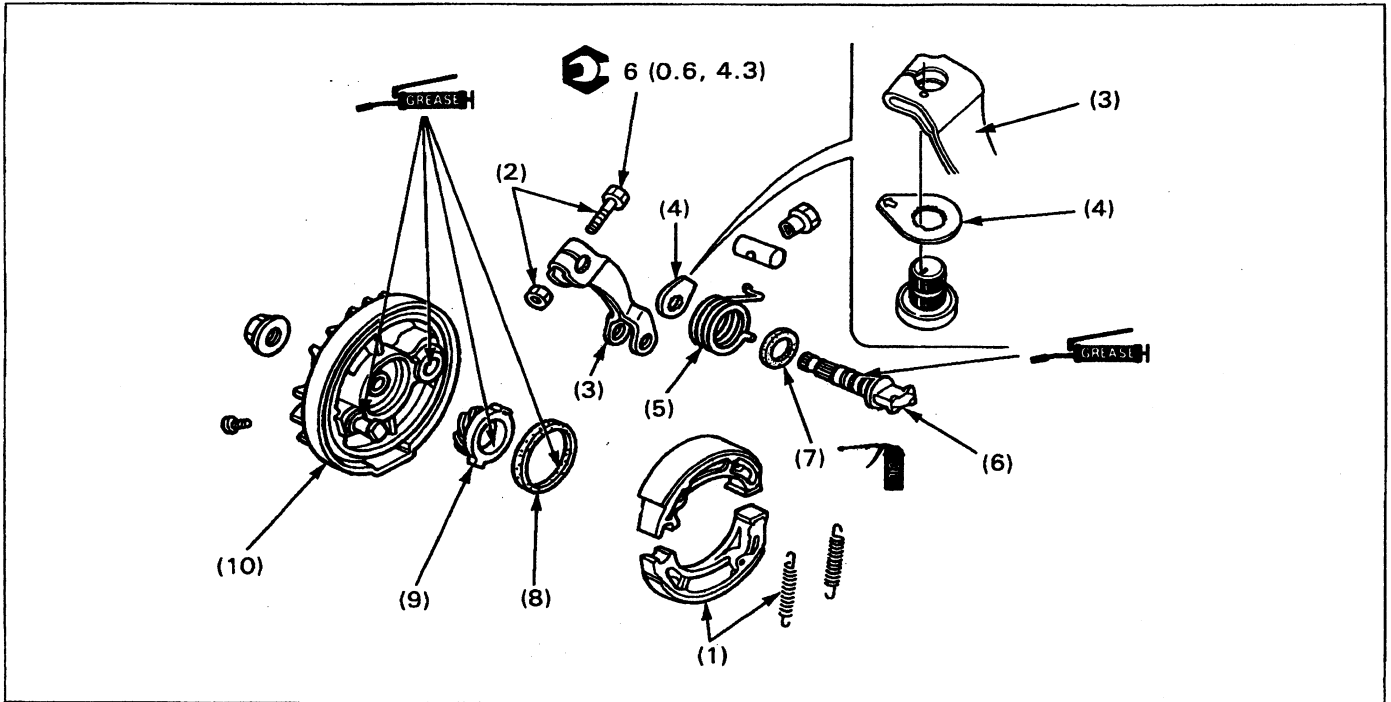


Front Brake Panel Disassembly/Assembly



Requisite Service

- Front wheel removal/installation (page 11-2)

| Procedure | | Q'ty | Remarks |
|--------------------------|------------------------|------|--|
| Disassembly Order | | | Assembly is in the reverse order of disassembly. |
| (1) | Brake shoe/shoe spring | 2/2 | |
| (2) | Brake arm bolt/nut | 1/1 | |
| (3) | Brake arm | 1 | When installing, align the punch mark on the arm with the index mark on the brake cam. |
| (4) | Wear indicator | 1 | |
| (5) | Return spring | 1 | |
| (6) | Brake cam | 1 | |
| (7) | Felt seal | 1 | |
| (8) | Dust seal | 1 | |
| (9) | Speedometer drive gear | 1 | |
| (10) | Brake panel | 1 | |