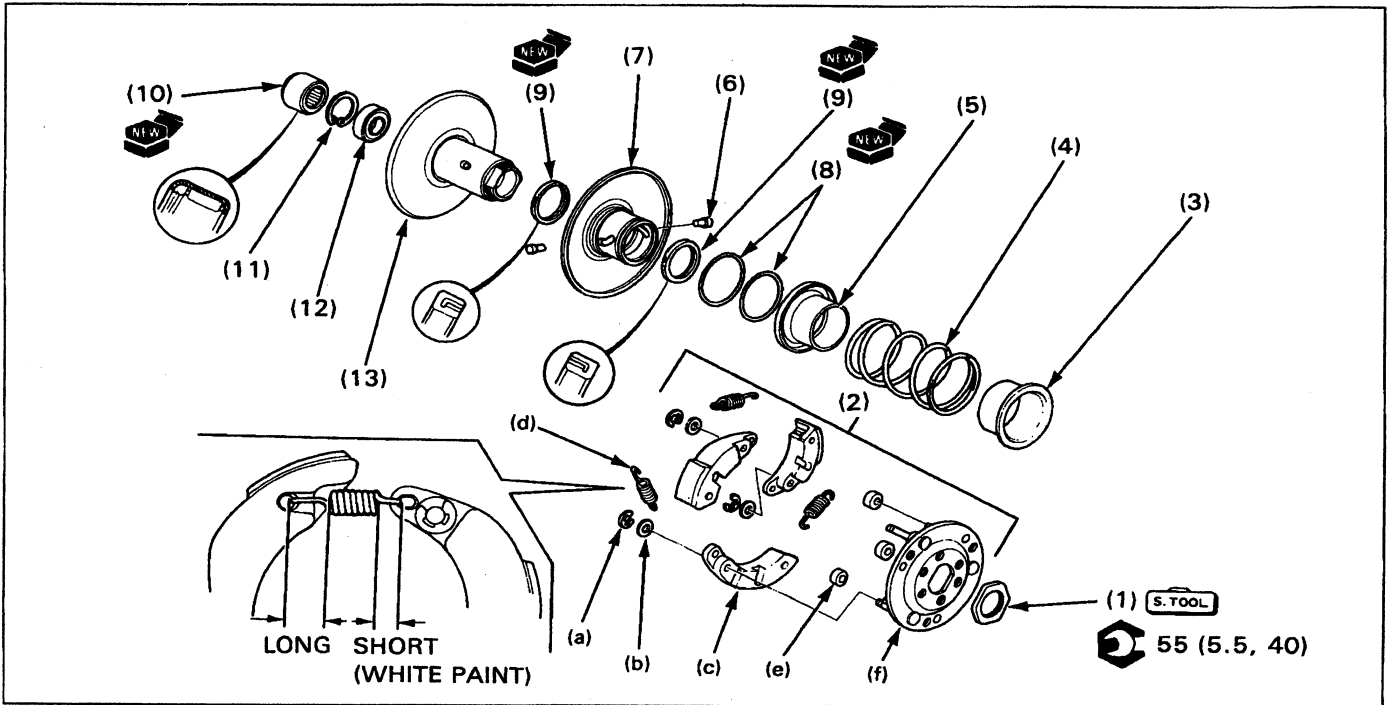


Clutch/Driven Pulley Disassembly/Assembly



Requisite Service

- Clutch/driven pulley removal/installation (page 8-5)

Procedure		Q'ty	Remarks
(1)	Disassembly Order 28 mm special nut	1	
(2)	Clutch assembly	1	
(a)	Snap ring	3	
(b)	Washer	3	
(c)	Clutch shoe	3	
(d)	Clutch shoe spring	3	
(e)	Dampr rubber	3	
(f)	Clutch drive plate	1	
(3)	Spring collar	1	NOTE • When removing, be careful not to damage or deform.
(4)	Driven face spring	1	
(5)	Seal collar	1	
(6)	Guide pin	2	
(7)	Movable driven face	1	
(8)	O-ring	2	
(9)	Oil seal	2	
(10)	Inner bearing	1	
(11)	Snap ring	1	
(12)	Outer bearing	1	
(13)	Driven face	1	