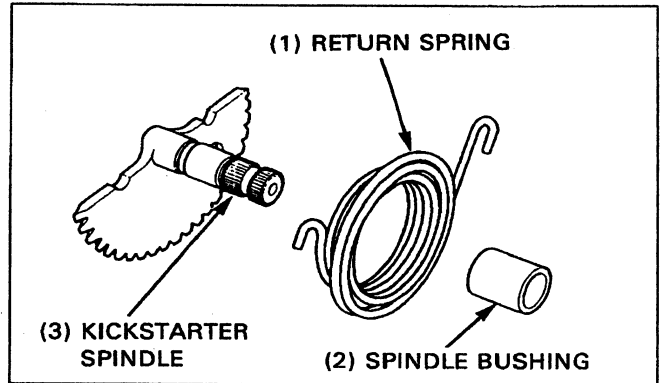


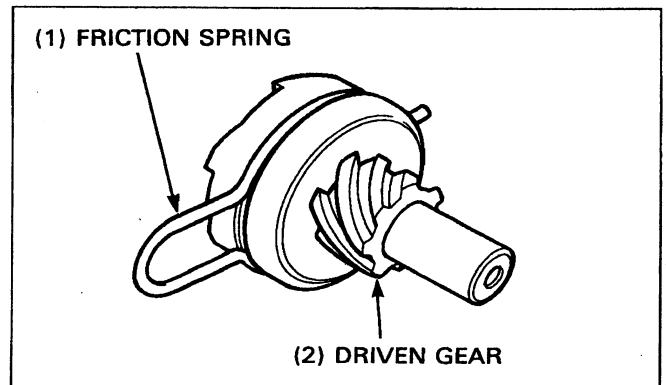
## Kickstarter/Drive Pulley/Clutch/Driven Pulley

### Kickstarter Inspection

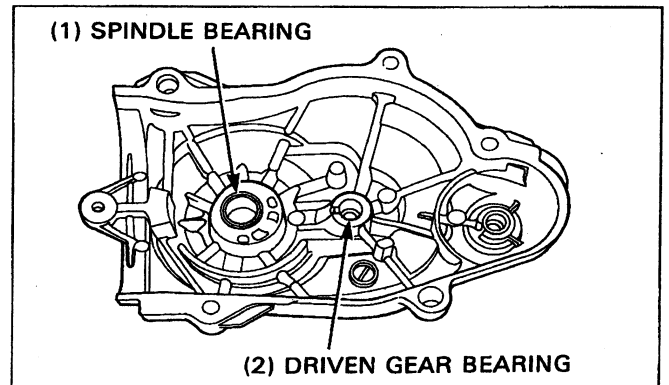
Check the kickstarter spindle for wear or damage.  
Check the kickstarter return spring for weakness or damage.  
Check the spindle bushing for wear, scratches or scoring.



Check the kickstarter driven gear for wear or damage.  
Check the friction spring for weakness or damage.



Check the spindle and driven gear bearings for wear or damage.



### Kickstarter Driven Gear Installation

Align the friction spring with the boss on the crankcase front cover and install the driven gear while turning the kickstarter pedal.

Engage the spindle gear and driven gear while returning the kickstarter pedal.

