

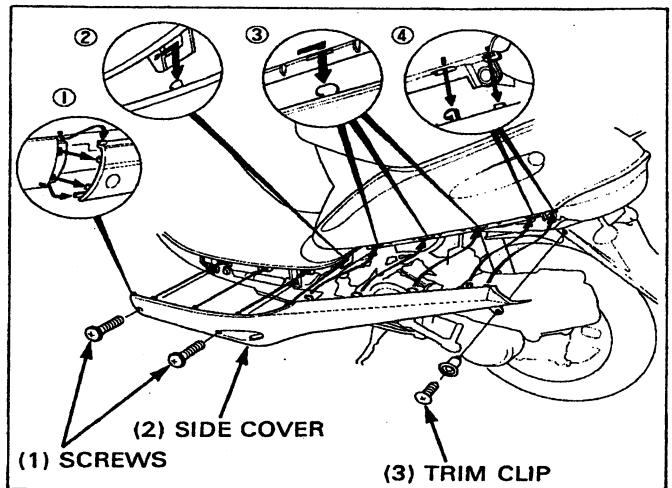
Side Cover

Remove the trim clip and two screws.

- ① Release the front tabs of the cover from the front fender while sliding the cover rearward.
- ② Push the cover rearward and release the four front tabs outward.
- ③ Push the cover rearward and release the three tabs from the frame body cover downward.
- ④ Release the two rear tabs while pulling down the rear of the cover.

NOTE

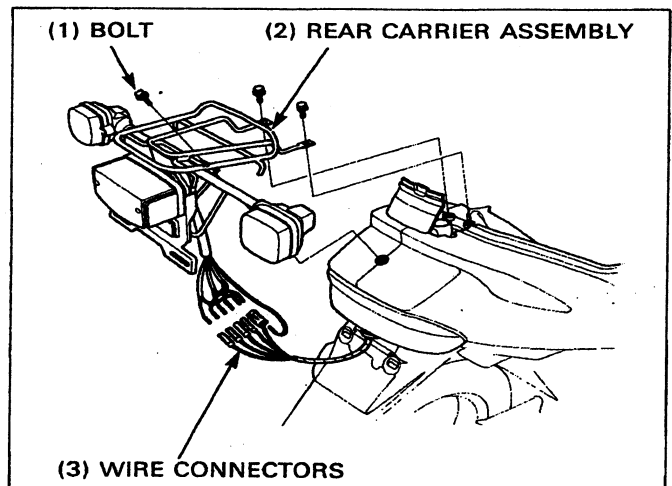
Attach the rear of the front fender with the side cover front screw.



Frame Body Cover

Remove the luggage box (page 2-4).

Disconnect the turn signal light and taillight wire connectors. Remove the three bolts and the rear carrier assembly.



Remove the side covers.

Remove the center cover (page 2-4).

Remove the two tapping screws and two trim clips.

- ① Release the front tabs upward.
- ② Remove the frame body cover rearward.
- ③ Remove the two tapping screws and the body cover lid.
- ④ Pull the left frame body cover back to release the two tabs and separate the left and right frame body covers.

