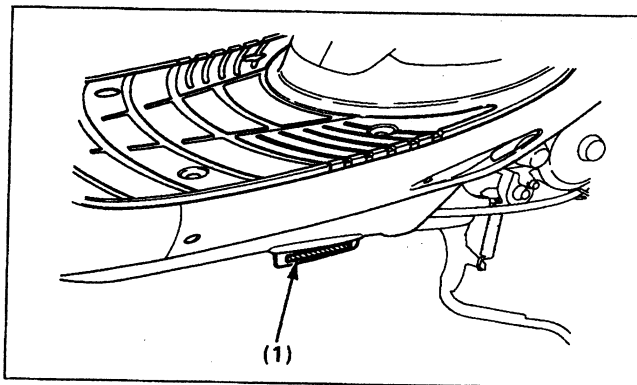
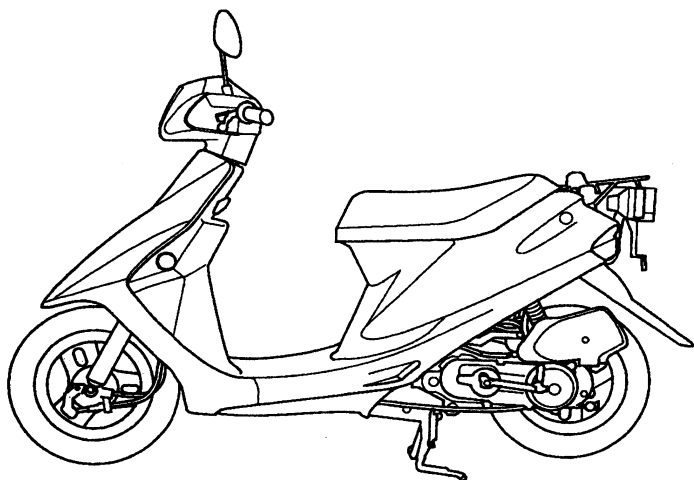
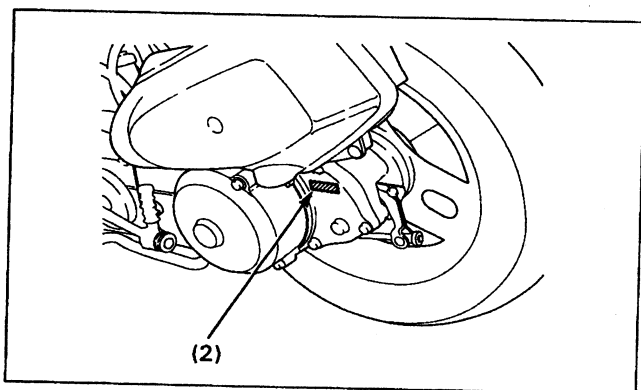


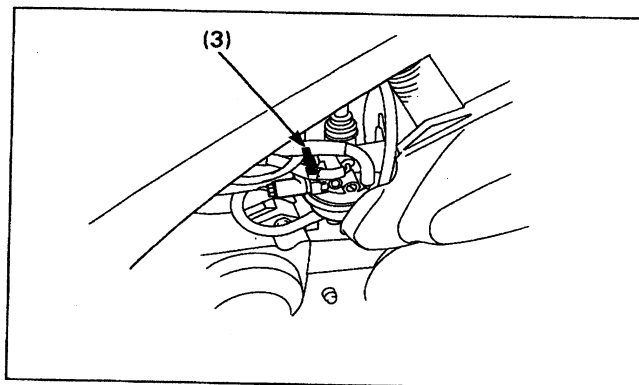
Model Identification



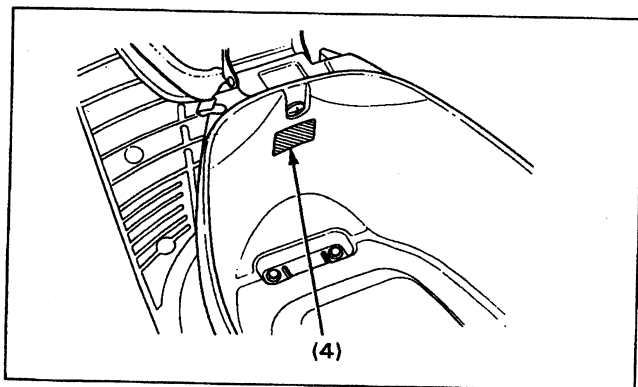
(1) FRAME SERIAL NUMBER
The frame serial number is stamped on the left side of the frame.



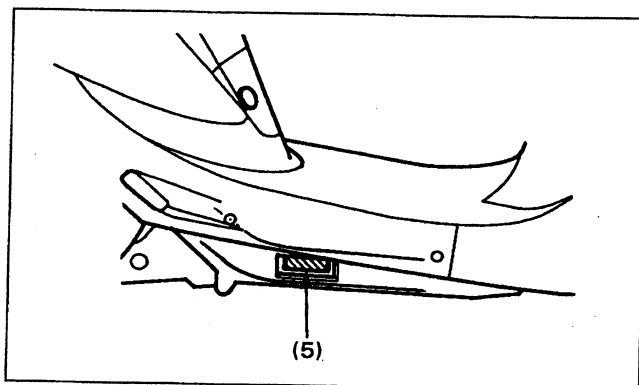
(2) ENGINE SERIAL NUMBER
The engine serial number is stamped on the left side of the transmission cover.



(3) CARBURETOR IDENTIFICATION NUMBER
The carburetor identification number is stamped on the left side of the carburetor body.



(4) COLOR CODE LABEL
The color code label is attached to the luggage box under the seat. When ordering a color coded parts, always specify its designated color.



(5) SAFETY CERTIFICATION LABEL (CM type only)
The safety certification label is attached to the right side of the frame.