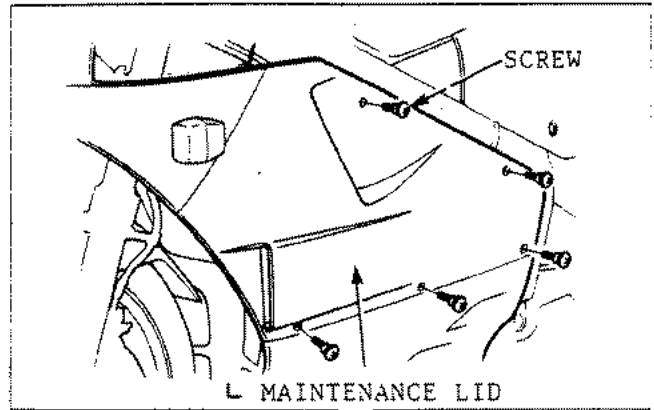


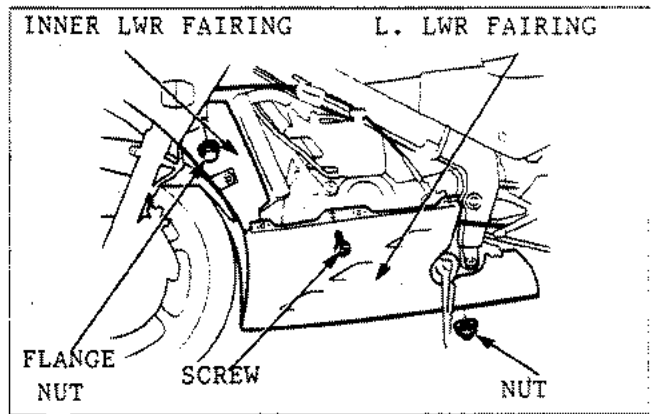
MAINTENANCE LID

Remove 5 screw
 Remove upper fairing hook, inner lower fairing screw and remove L. maintenance lid
 Loose 5 quick release screws
 Remove screws from upper fairing hook and inner lower fairing, and remove R. maintenance lid

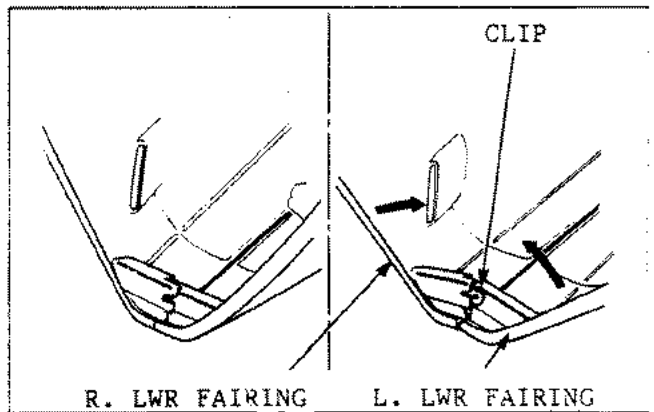


LOWER FAIRING

Remove pinch nut from engine section of lower fairing
 Remove the 2 screws and 2 flange nuts, and remove lower fairing from assembly



Remove 3 screws and remove inner lower fairing
 Pull apart where lower fairing front sections meet



Remove heat guard from lower fairing connection
 Separate left and right fairing by taking it forward and back.

* Take care not to break lower fairing hook

When installing reverse removal process

