

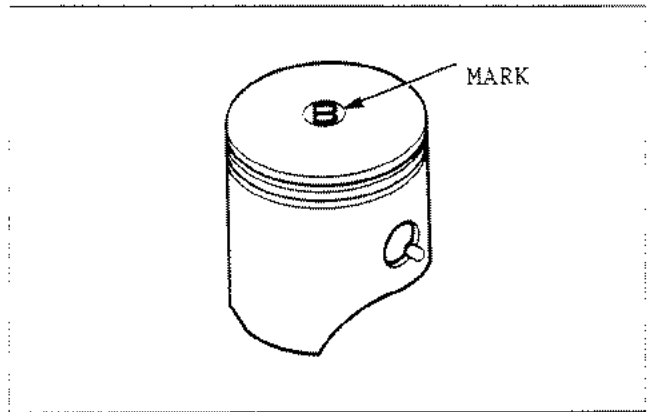
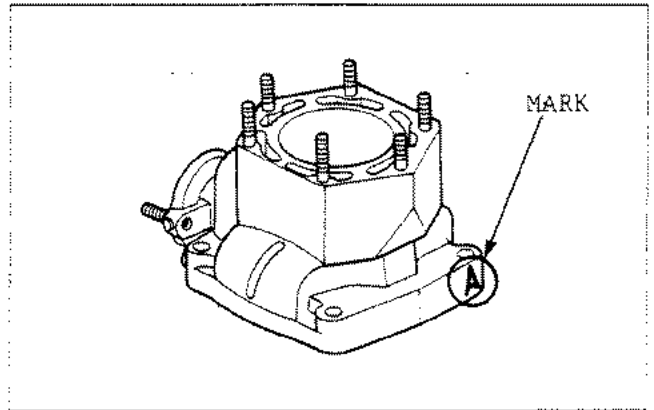
NSR250R(K)

CYLINDER, PISTON SELECTION

The cases for replacement of cylinder, pistons and corresponding replacement parts are shown below

Selection

Cyl	Mark A		Mark B		Mark C	
	54.008—	54.011	54.004—	54.008	54.000—	54.004
Piston						
Mark B			×			×
No Mark	×					×
Mark D	×		×			○



BRAKE SYSTEM

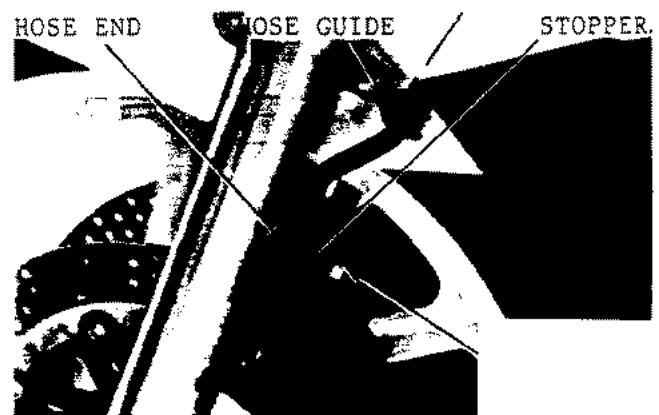
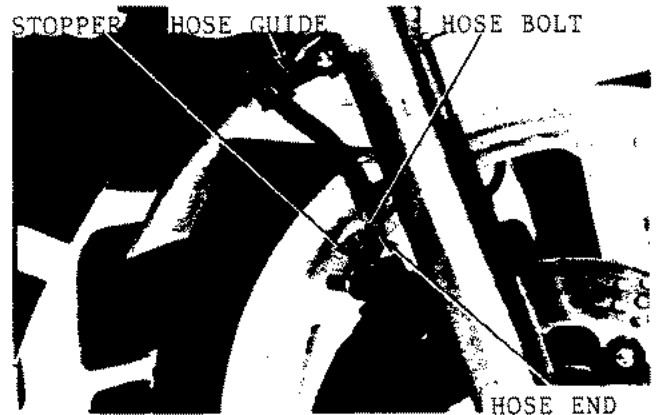
Front brake caliper installation

Install caliper to front fork

install caliper pinch bolt (20.55)

Install brake hose and hose bolt

Torque 3.0-4.0 Kg.m



- * When installing brake hose install hose end to caliper stopper correctly
- * Check that the brake hose is definitely attached to hose guide