

NSR250R(K)

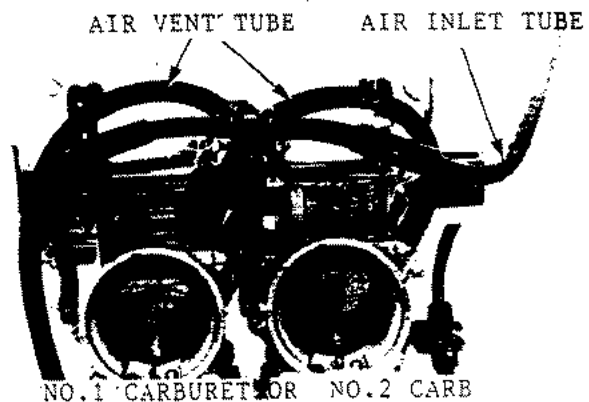
CARBURETTOR

Tube Installation

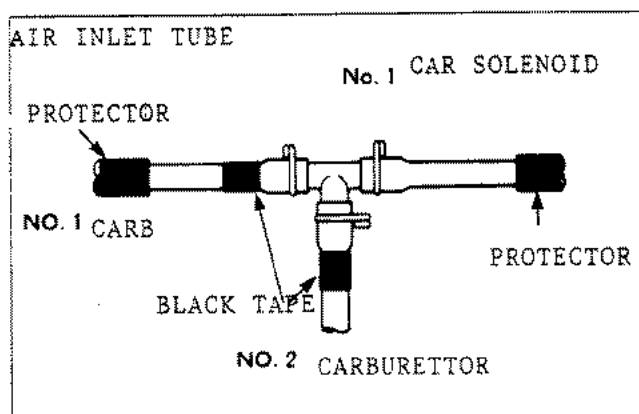
Assemble carburettor (20.31)

Install air vent tube

Install air inlet tube

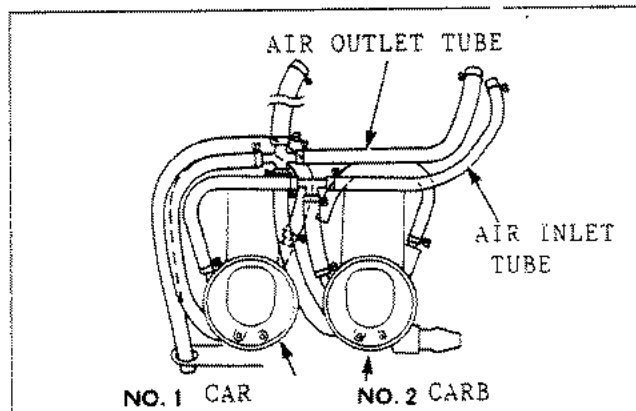


** Install black tape on tube and protector as shown



Install air outlet tube

Clamp tube with the carburettors top clamper



Install fuel tube and drain tube (4.13)

Install carburettor

Install tubes properly as shown in wiring map (22.11)

