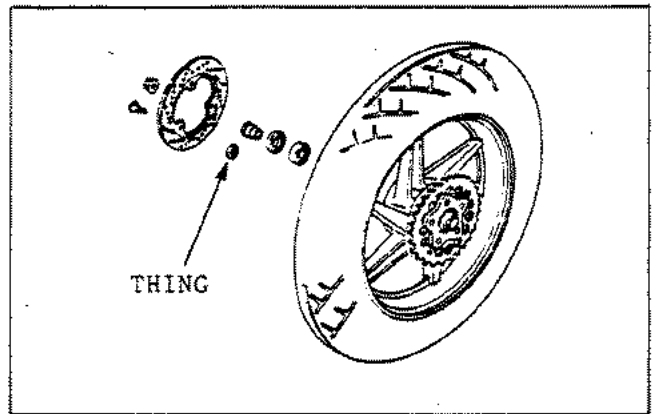
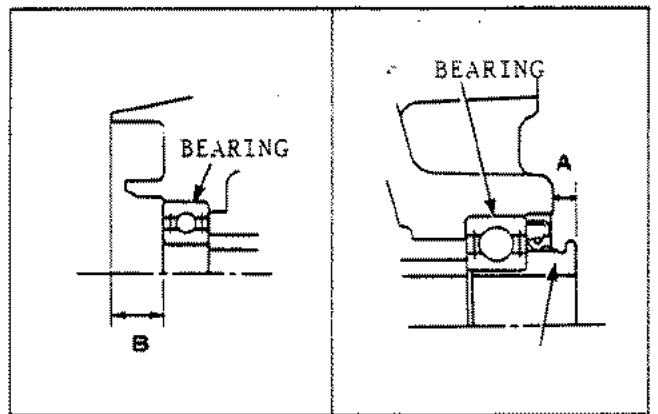


# 21. NSR250R SP SPECIAL FEATURES



A : 4.05 - 5.15mm  
 B : 17.20 - 17.44mm



10g	42704 - KV3 - 7200
20g	42705 - KV3 - 7200
30g	42706 - KV3 - 7200

