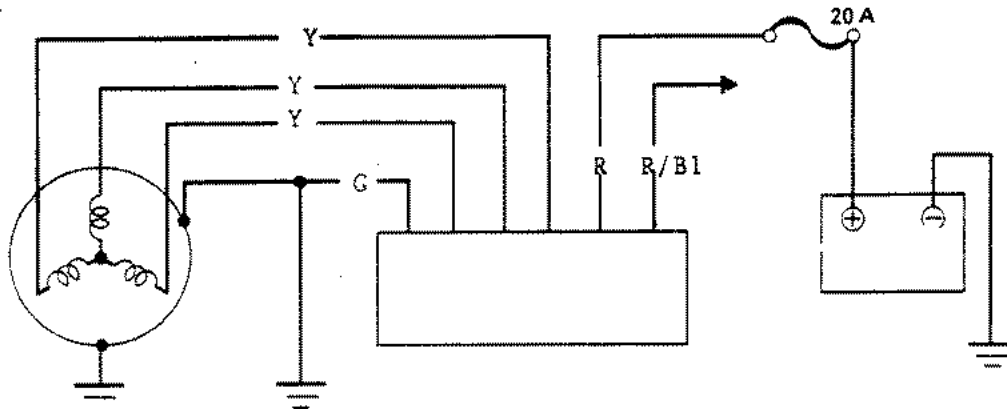


# NSR250R(J)

## CHARGING SYSTEM



### VOLTAGE REGULATOR RECTIFIER

Check rectifier for forward and reverse resistance to check the diodes in the normal manner

