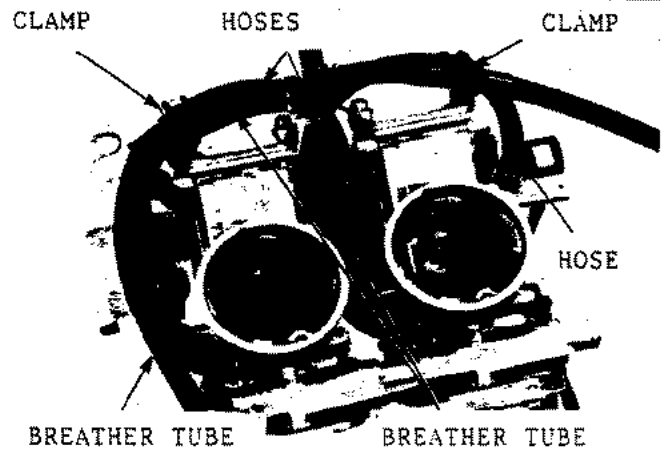
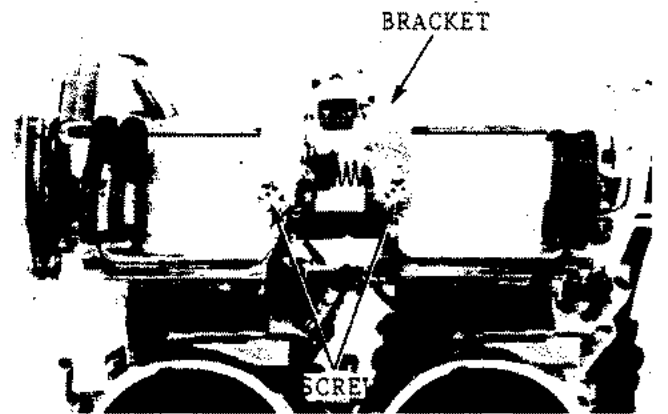


CARBURETTOR INSPECTION

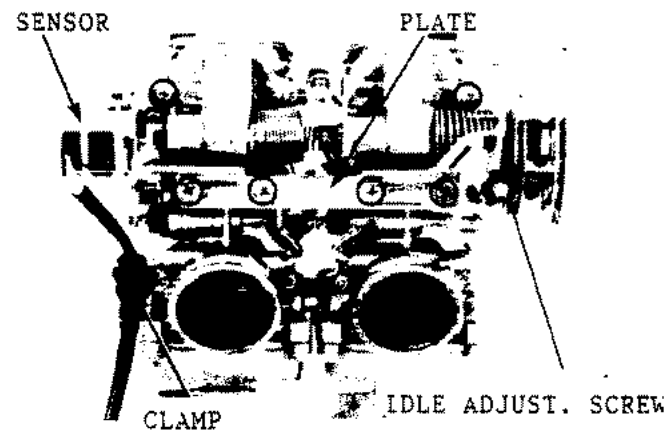
Disassemble as per section 4



Remove bracket



* Caution care must be taken when removing throttle angle sensor



Inspect air jet by removing the plug shown

