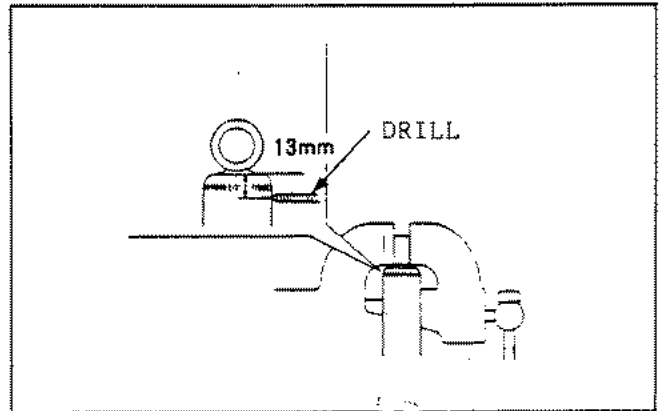


DAMPER UNIT GAS DRAINAGE

Because high pressure gas is inside damper unit, take care with the following point

* Never try to increase oil or separate unit as fire or high oil, output may occur

Drill using a punch as in the picture
Stand damper unit up and fix in position in a vice
Drill a 3mm hole where the punch mark is to drain the gas.



Inspect upper seat, dust seal, lower seat, adjuster and spring guide for damage, wear and change in shape

ASSEMBLY

