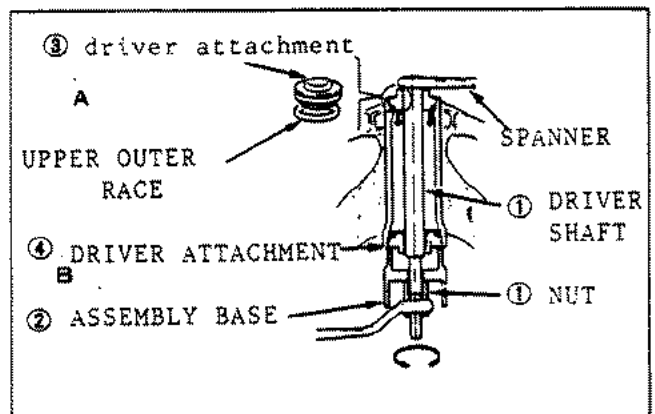
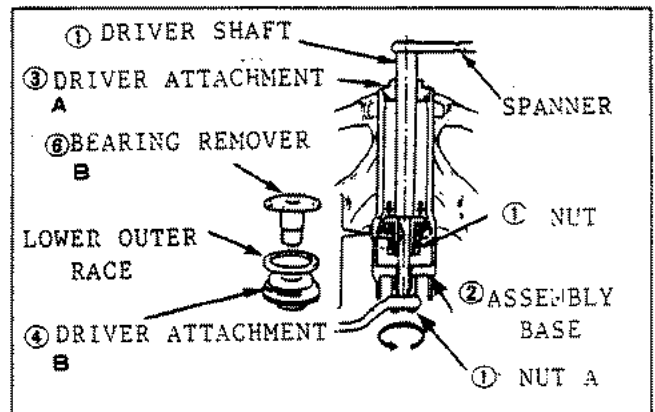


Stop driver shaft moving using spanner, turn Nut A and remove outer race

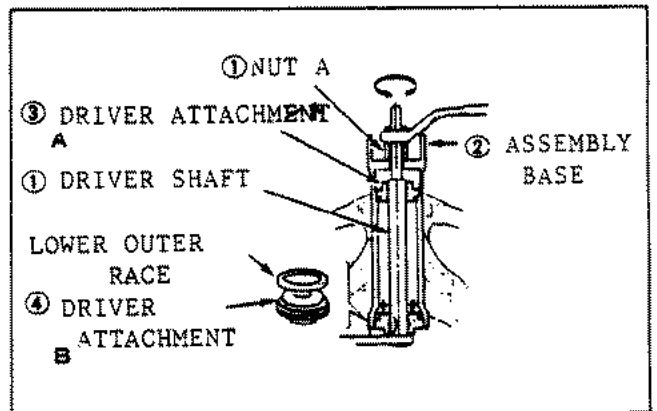
At the same time, remove lower outer race

\* Align bearing remover B with head pipe shoulder and install

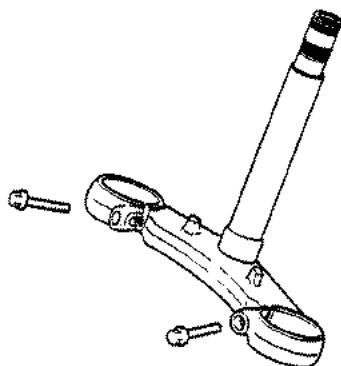
Set upper outer race and ball race remover with head pipe as in the picture  
 Stop driver shaft moving using spanner turn Nut A and install outer race



Set lower outer race and ball race remover in the head pipe as in the picture  
 Stop driver shaft moving using spanner and turn Nut A and install lower outer race



INSTALLATION



- LOCK NUT
- LOCK WASHER
- STEERING ADJUSTER NUT
- DUST SEAL
- UPPER INNER RACE
- UPPER BEARING
- LOWER BEARING
- LOWER INNER RACE
- DUST SEAL