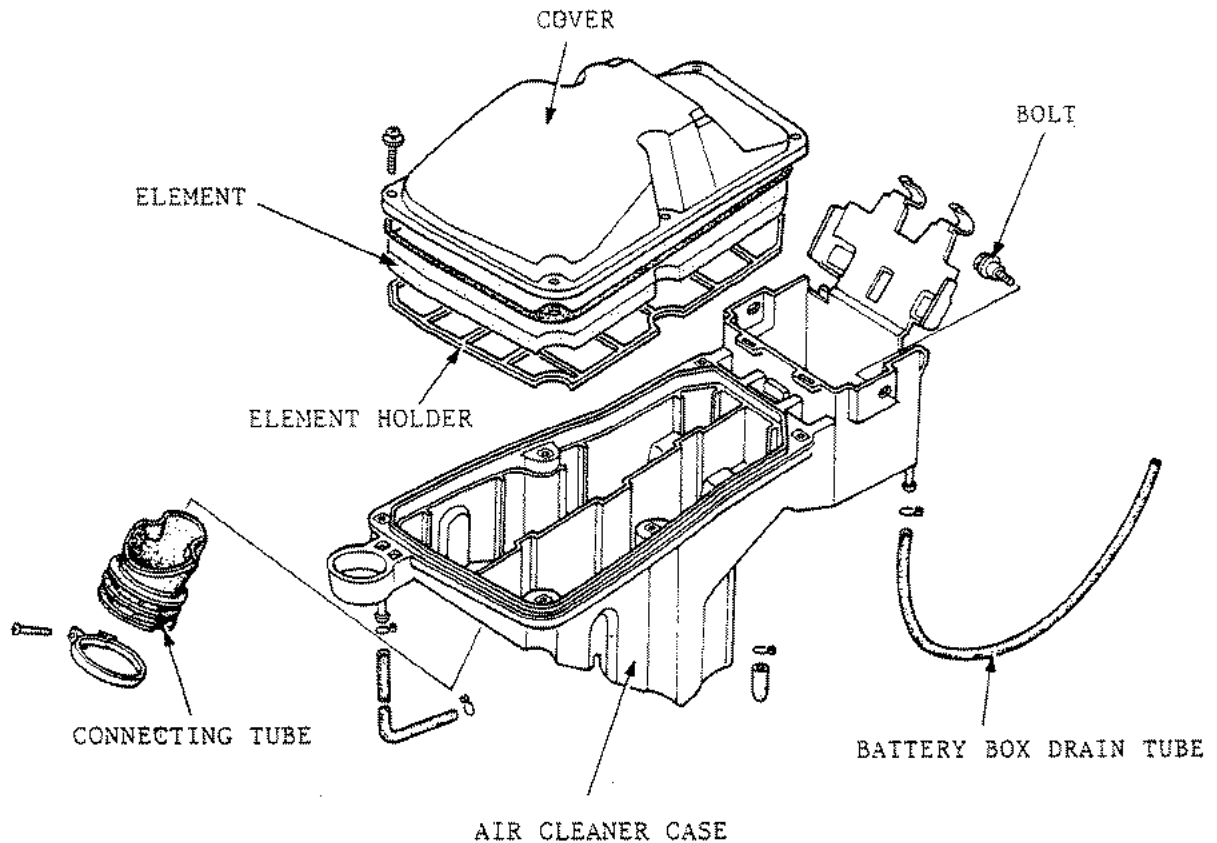
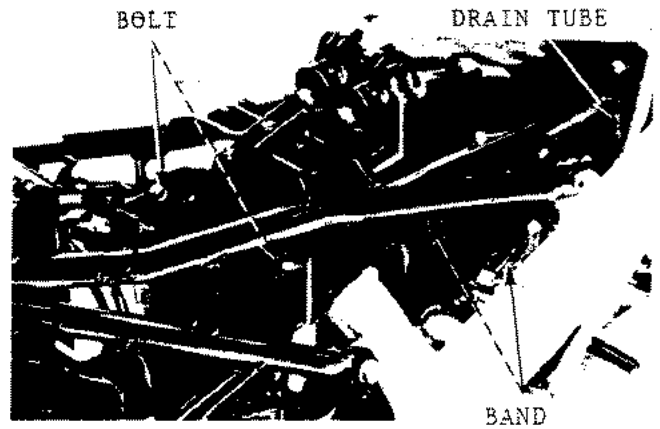


AIR CLEANER CASE

Removal

- Remove side cover (15-1)
- Remove fuel tank (4-2)
- Remove battery (16-3)
- Remove air cleaner case bolt
- Remove drain tube
- Loosen connecting tube band
- Remove air cleaner case



Installation

Install in reverse order of removal

- * Align connecting tube band protuberance with tube groove
- * After checking that tube is not bent internally, install carburettor. If bent when installed engine performance will be affected
- * Check that nothing has fallen into air cleaner case when installing air element

