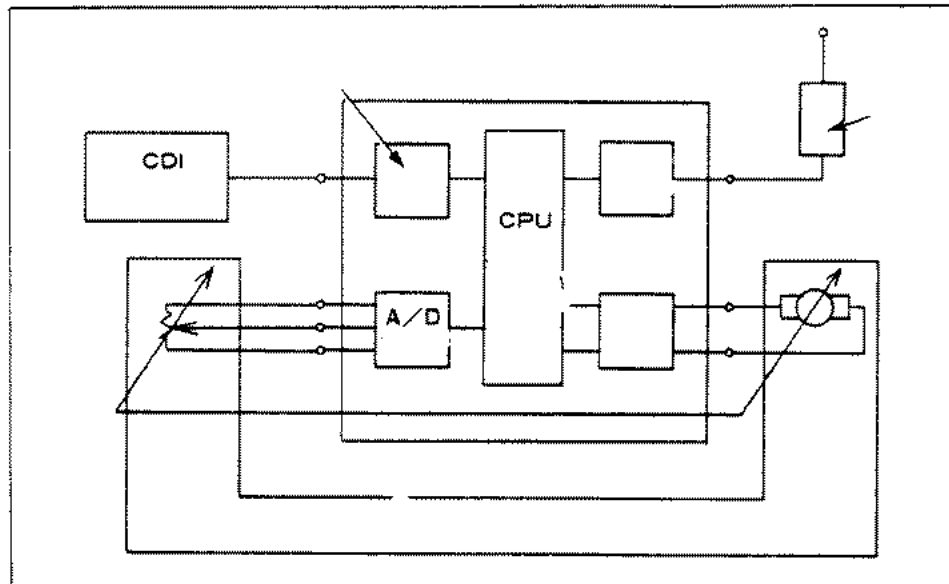


CONTROL UNIT

The control unit calculates the pulse (eng. Revs) from the CDI unit, and allots the flow of current to the RC Valve Servo Motor and Oil Pump Solenoid. The pulse from the CDI unit is calculated according to the units internal revolutions calculation circuit, and is inputted into the micro computer. According to these engine revolutions, the micro computer will flow current through the solenoid driver and motor driver to the Servo Motor and Oil Pump Solenoid.



CASSETTE TRANSMISSION

Depending on how the transmission bearing holder is held in the crankcase with the knock pin and bolt, the transmission can be adjusted while the engine is in the frame.

