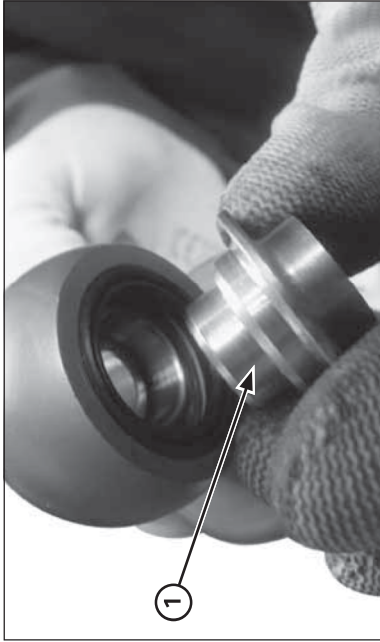


Frame servicing



(1) DISTANCE COLLAR

Remove the distance collar.

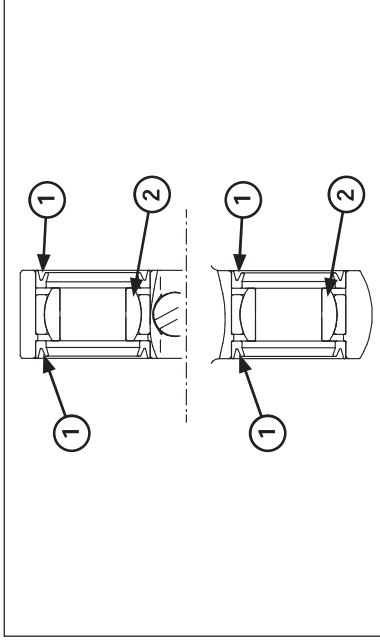
Remove the stopper ring, spring seat and spring.

Inspection

Check the following items:

- Upper and lower spherical bearing for wear or damage
- Spring for damage and measure the free length
- Damper for oil leakage from the damper rod

Replace the damper unit if an oil leak is detected.



(1) DUST SEALS
(2) SPHERICAL BEARING

Spherical Bearing Replacement

Remove the collars and dust seals.

Check the spherical bearing for smooth rotation or damage.

Remove the stop ring

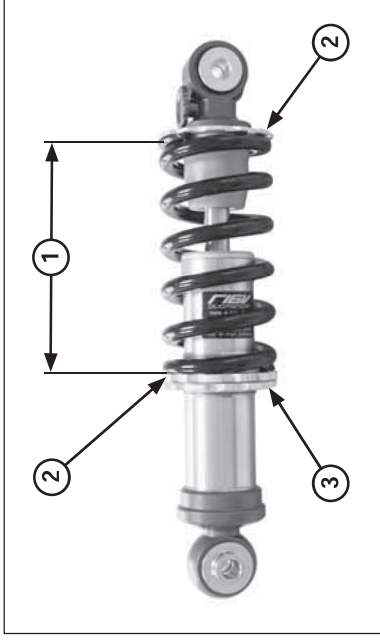
Press the spherical bearing out using the special tool.

Tool:

Spherical bearing driver 07HMF-KS60100

Press a new spherical bearing into the shock absorber pivot until its seats using same tool.
Install the new stop ring into the groove.

Apply grease to the dust seal lips.
Install the dust seals and collars.



(1) PRE-LOAD LENGTH
(2) ADJUSTER
(3) LOCK NUT

Adjust the spring pre-load length (page 1-4).
Hold the spring adjuster and tighten the lock nut to the specified torque.

Torque:

Tightening angle 50°±10 after contact between nuts