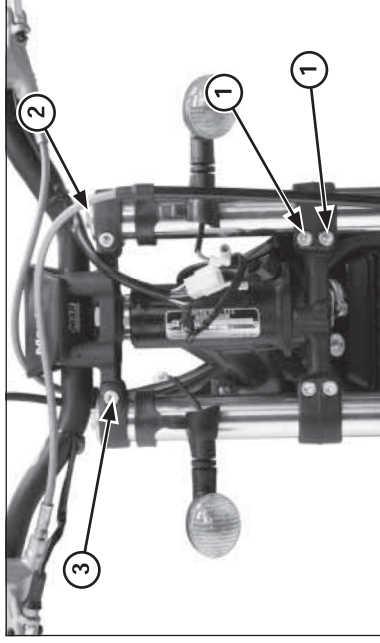


(1) FORK TUBE
(2) TOP BRIDGE

Installation

Install the fork tube.
Raise the fork through the bottom bridge and top bridge.
Place the fork tubes in the top clamp level as shown in the picture.



(1) BOTTOM BRIDGE PINCH BOLTS
(2) FORK BOLT
(3) TOP BRIDGE PINCH BOLTS

Tighten the bottom bridge pinch bolts to the specified torque.

Torque: 21 N•m (2.1 kgf•m, 14 lbf•ft)

Overtightening the pinch bolts can deform the outer tube. Deformed outer tube must be replaced.

Tighten the fork bolt.

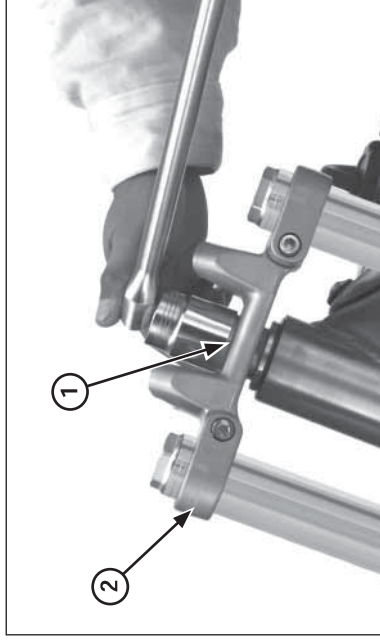
Tighten the top bridge pinch bolt to the specified torque.

Torque: 21 N•m (2.1 kgf•m, 14 lbf•ft)

Return spring pre-load and rebound adjuster to their original positions as noted during removal.

Install the following:

- Front fender
- Front wheel (page 4-2)



(1) STEM NUT
(2) TOP BRIDGE

Steering stem

Disassembly

Remove the following:

- Handlebar
- Front wheel (page 4-1)
- Front fender

Remove the steering stem nut and washer.

Remove the fork legs (page 4-2).
Remove the top bridge.