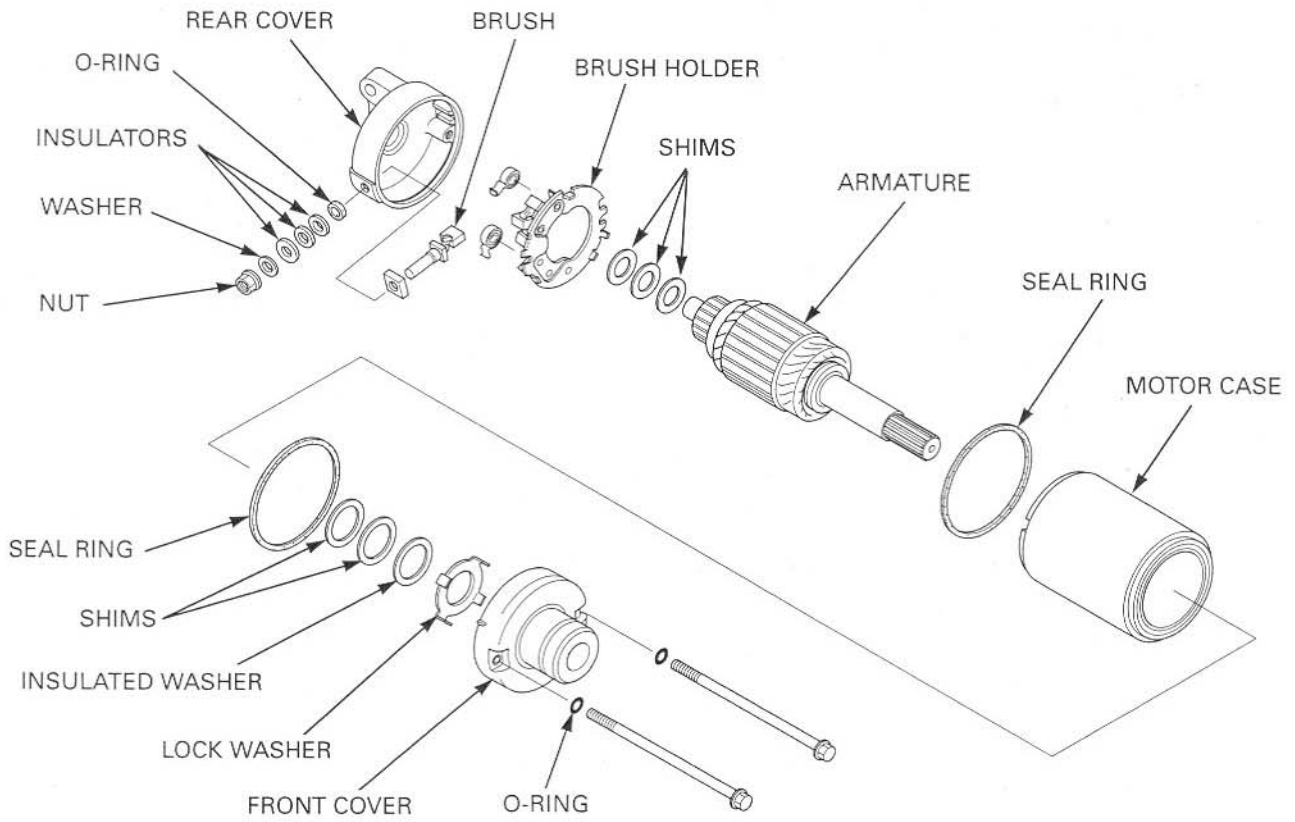


ELECTRIC STARTER

ASSEMBLY



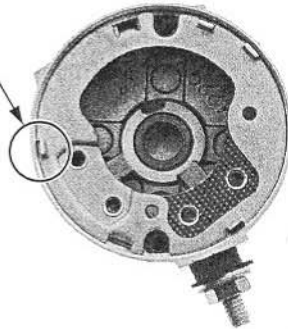
Install the brushes into the brush holder.
Install the cable terminal and brush holder into the rear cover, aligning the holder tab with the rear cover groove.

Install the insulators properly as noted during removal.

Install the following:

- New O-ring
- Insulators
- Washer
- Nut

ALIGN

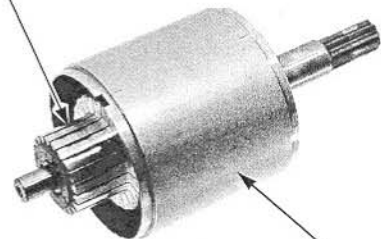


Install the armature in the motor case.
When installing the armature into the motor case, hold the armature tightly to keep the magnet of the case from pulling the armature against it.

NOTICE

The coil may be damaged if the magnet pulls the armature against the case.

ARMATURE



MOTOR CASE